

job name:
 type:

glo.stk.4™ spec sheet 90CRI

LED

body illumination

flexible planar LED lighting sheet in 3000K, 3500K, or 4000K (90CRI), utilizing emitters rated at >77,000hrs L70 per TM21-11 from LM80 data. white power cord standard. optional power cords listed below.

downlight (optional)

COB in 3000K, 3500K, or 4000K (90 CRI) rated >36,000 hours L70 (6.8K) per LM-80 test data, 71,000 hours projected life per IEM TM-21.

downlight optics

LEDiL® Angelina 82mm dia 31mm high (RoHS compliant) available in 20° spot, 30° medium, 50° wide with specular anodized finish. 90° extra wide features matte white highly reflective finish. color mixing sublens standard. standard mounting clamp allows for easy replacement of reflector in field. the typical total beam angle is the full angle measured where the luminous intensity is half of the peak volume.

end caps

ribbed extruded aluminum end caps available in silver anodized and black anodized finishes. or choose from 12 standard painted finishes listed below.

driver

in canopy, class 2, class P universal input (120-277v), constant current, 0-10v dimming, 1% minimum dimming level, PF >.9, THD <20%, protections include open and short circuit, overload and over temperature.

diffuser

4" dia. .118" Satinice white acrylic cylinder, featuring light diffusion beads evenly distributed throughout the material for optimum light diffusion.

mounting

7"dia. spun .064" aluminum canopy in matte white, single stainless steel cable and field adjustable gripper that allows for exact AFF mounting heights.

finish

select from 2 anodized and 12 standard powder coat paint finishes listed below or specify RAL# for custom colors.

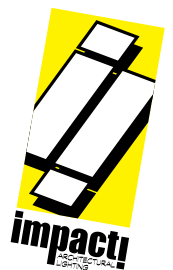
emergency

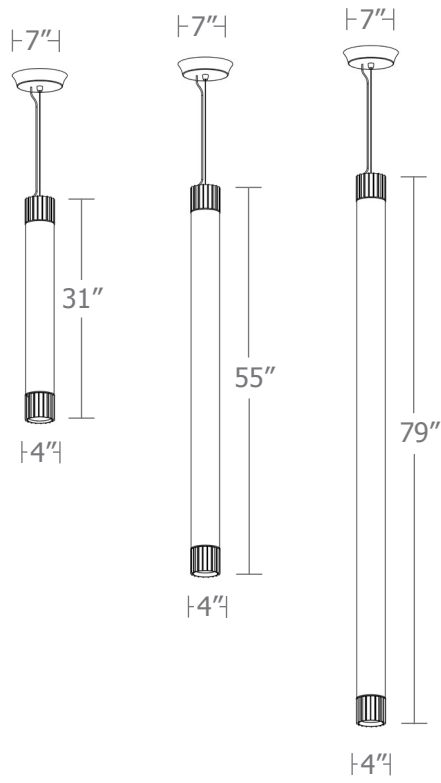
recommend use of inverter (by other).
 optional WREM: wired for remote EM battery (by other).



catalog number

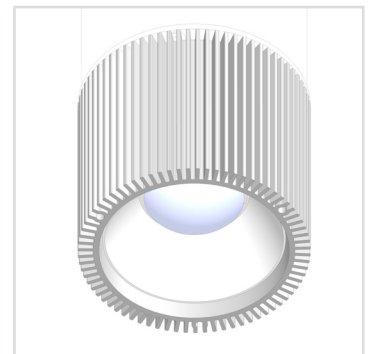
size	body illumination		downlight		anodized finishes	power cord	options
	CCT	lumens	CCT	beam		WHPC	6FT 72" cables 12FT 144" cables
P9624 (2ft) 4"dia X 31"ht	30 3000K	LO 1400 lm	30 3000K	S 20° spot	AN silver anodized	White power cord and canopy	
	35 3500K	HI 2150 lm	35 3500K	M 30° med	ANB anodized black	SBPC Silver braid power cord and white canopy	WREM wired for remote EM battery pack <small>(by other) (see note above)</small>
	40 4000K	CL* xxxx lm <small>(940lm-3200lm) custom lumens consult factory</small>	40 4000K	W 50° wide	BS brass	BKPC Black power cord and canopy	
			NDL no downlight	XW 90° extra wide	BU blue		
P9648 (4ft) 4"dia X 55"ht	30 3000K	LO 2400 lm	30 3000K	S 20° spot	CP champagne		
	35 3500K	HI 4300 lm	35 3500K	M 30° med	GM gun metal		
	40 4000K	CL* xxxx lm <small>(1900lm-6450lm) custom lumens consult factory</small>	40 4000K	W 50° wide	MB military blue		
			NDL no downlight	XW 90° extra wide	MW matte white		
P9672 (6ft) 4"dia X 79"ht	30 3000K	LO 3600 lm	30 3000K	S 20° spot	OR orange		
	35 3500K	HI 6450 lm	35 3500K	M 30° med	RD red		
	40 4000K	HX 7500 lm	40 4000K	W 50° wide	SS satin silver		
			NDL no downlight	XW 90° extra wide	TG textured gray		
		CL* xxxx lm <small>(3000lm-9100lm) custom lumens consult factory</small>			YO yellow		
					premium finish		
					RAL specify RAL#		





Cat No	Delivered* Lumens	Watts 120V / 277V	IES File #	LLF to be applied
P9624 LO	1400	15	12206	.67
P9624 HI	2150	23	12206	1.03
P9648 LO	2400	25	12208	.59
P9648 HI	4300	45	12208	1.00
P9672 LO	3600	38	12208	.88
P9672 HI	6450	68	12208	1.40
P9672 HX	7500	79	12208	1.75

*delivered lumens based on 4000K, 90 cri



optional downlight (detail)

Downlight	Delivered* Lumens	Watts 120V / 277V	IES File #	LLF to be applied
	1300	14	20921 spot	.40
			20922 med	.40
			20923 wide	.40
			20924 x-wide	.40

*delivered lumens based on 4000K, 90+ cri

