

i.rod.6™ spec sheet 90CRI

LED

body illumination

custom flexible planar LED lighting sheet in 3000K, 3500K, or 4000K (90+CRI), utilizing emitters rated at >77,000hrs L₇₀ per TM21-11 from LM80 data.

downlight (optional)

Bridgelux Vero SE series in 3000K, 3500K, or 4000K (90CRI), with rated life of >50,000hrs L70 per IES TM21. factory wired for dual circuit dimming. electrical contractor to provide 2nd circuit.

driver(s)

in canopy, class 2, universal input (120-277v), constant current, 0-10v dimming, 1% minimum dimming level, PF >.9, THD <20%, protections include open and short circuit, overload and over temperature.

diffuser

6" dia. .118" Satinice white acrylic cylinder, featuring light diffusion beads evenly distributed throughout the material for optimum light diffusion.

mounting

7"/10" dia. spun aluminum canopy in matte white dual stainless steel cables and field adjustable grippers that allow for exact AFF mounting heights.

emergency

if required, recommend use of inverter (by other).

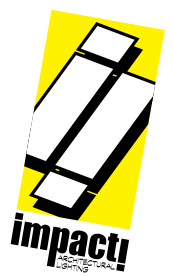


catalog number

--	--	--	--	--	--	--

size	body illumination	downlight	power cord	options
P9412 (1ft) 6"dia X 12"ht	CCT 30 3000K 35 3500K 40 4000K	lumens HI 1355 lm	NDL <small>no downlight</small>	WHPC white power cord and canopy SBPC silver braid power cord and canopy
				6FT 72" cables 12FT 144" cables

P9418 (1.5ft) 6"dia X 18"ht	CCT 30 3000K 35 3500K 40 4000K	lumens LO 1600 lm HI 2095 lm CL xxxx lm <small>custom lumens consult factory 1600-2095 lm</small>	CCT 30 3000K 35 3500K 40 4000K	lumens NDL <small>no downlight</small> LO 1300 lm
------------------------------------	--	---	--	--



i.rod.6™ spec sheet 90CRI

LED

body illumination

custom flexible planar LED lighting sheet in 3000K, 3500K, or 4000K (90+CRI), utilizing emitters rated at >77,000hrs L₇₀ per TM21-11 from LM80 data.

downlight (optional)

Bridgelux Vero SE series in 3000K, 3500K, or 4000K (90CRI), with rated life of >50,000hrs L70 per IES TM21. factory wired for dual circuit dimming. electrical contractor to provide 2nd circuit.

driver(s)

in canopy, class 2, universal input (120-277v), constant current, 0-10v dimming, 1% minimum dimming level, PF >.9, THD <20%, protections include open and short circuit, overload and over temperature.

diffuser

6" dia. .118" Satinice white acrylic cylinder, featuring light diffusion beads evenly distributed throughout the material for optimum light diffusion.

mounting

7"/10"dia. spun aluminum canopy in matte white dual stainless steel cables and field adjustable grippers that allow for exact AFF mounting heights.

emergency

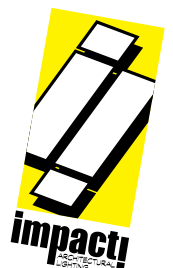
if required, recommend use of inverter (by other).



catalog number

<input type="text"/>	<input type="text"/>	<input type="text"/>	<input type="text"/>	<input type="text"/>	<input type="text"/>	<input type="text"/>
size	body illumination		downlight		power cord	options
P9424 (2ft) 6"dia X 24"ht	CCT	lumens	CCT	lumens	WHPC white power cord and canopy	6FT 72" cables
	30 3000K	LO 2095 lm	30 3000K	NDL ^{no} downlight	SBPC silver braid power cord and canopy	12FT 144" cables
	35 3500K	HI 2660 lm	35 3500K	LO 1300 lm		
	40 4000K	CL xxxx lm <small>custom lumens consult factory 1295-4065 lm</small>	40 4000K	HI* 1800 lm <small>*max. body lumens 2660</small>		

P9436 (3ft) 6"dia X 36"ht	CCT	lumens	CCT	lumens
	30 3000K	LO 3200 lm	30 3000K	NDL ^{no} downlight
	35 3500K	HI 4065 lm	35 3500K	LO 1300 lm
	40 4000K	CL xxxx lm <small>custom lumens consult factory 2095-6235 lm</small>	40 4000K	HI* 1800 lm <small>*max. body lumens 4065</small>



i.rod.6™ spec sheet 90CRI

LED

body illumination

custom flexible planar LED lighting sheet in 3000K, 3500K, or 4000K (90+CRI), utilizing emitters rated at >77,000hrs L₇₀ per TM21-11 from LM80 data.

downlight (optional)

Bridgelux Vero SE series in 3000K, 3500K, or 4000K (90CRI), with rated life of >50,000hrs L70 per IES TM21. factory wired for dual circuit dimming. electrical contractor to provide 2nd circuit.

driver(s)

in canopy, class 2, universal input (120-277v), constant current, 0-10v dimming, 1% minimum dimming level, PF >.9, THD <20%, protections include open and short circuit, overload and over temperature.

diffuser

6" dia. .118" Satinice white acrylic cylinder, featuring light diffusion beads evenly distributed throughout the material for optimum light diffusion.

mounting

7"/10"dia. spun aluminum canopy in matte white dual stainless steel cables and field adjustable grippers that allow for exact AFF mounting heights.

emergency

if required, recommend use of inverter (by other).

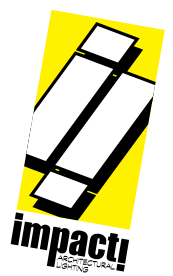


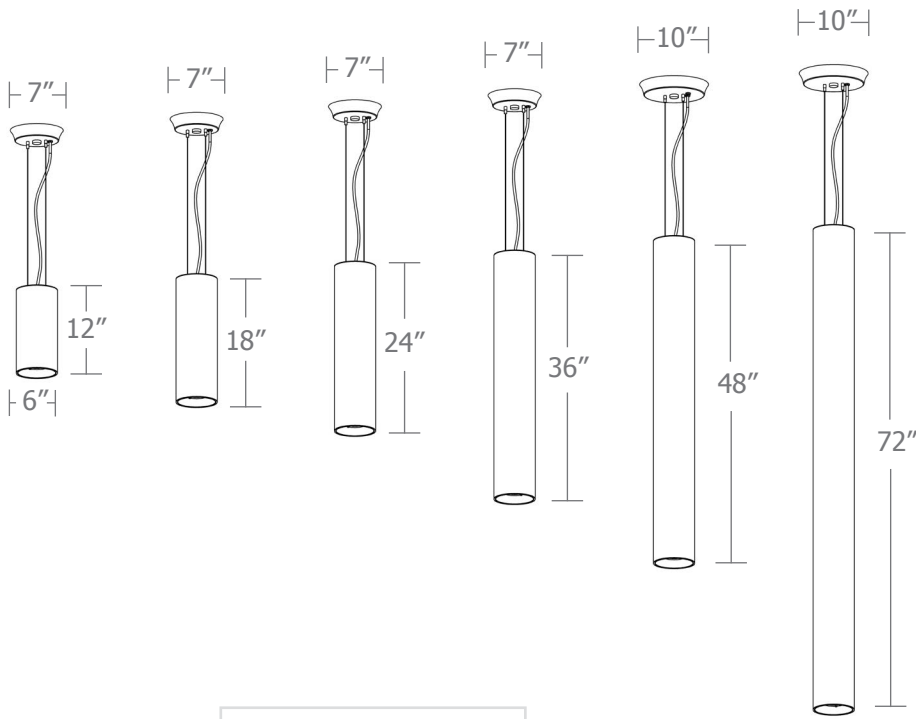
catalog number

--	--	--	--	--	--	--

size	body illumination		downlight		power cord	options
P9448 (4ft) 6"dia X 48"ht	CCT	lumens	CCT	lumens	WHPC white power cord and canopy	6FT 72" cables
	30 3000K	LO 4190 lm	30 3000K	NDL ^{no} downlight	SBPC silver braid power cord and canopy	12FT 144" cables
	35 3500K	HI 5420 lm	35 3500K	LO 1300 lm		
	40 4000K	CL xxxx lm <small>custom lumens consult factory 2835-8375 lm</small>	40 4000K	HI* 1800 lm <small>*max. body lumens 5420</small>		

P9472 (6ft) 6"dia X 72"ht	CCT	lumens	CCT	lumens
	30 3000K	LO 6405 lm	30 3000K	NDL ^{no} downlight
	35 3500K	HI 8375 lm	35 3500K	LO 1300 lm
	40 4000K	CL xxxx lm <small>custom lumens consult factory 4310-8375 lm</small>	40 4000K	HI* 1800 lm <small>*max. body lumens 8375</small>





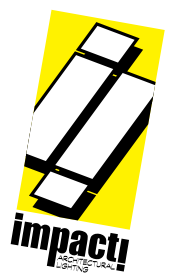
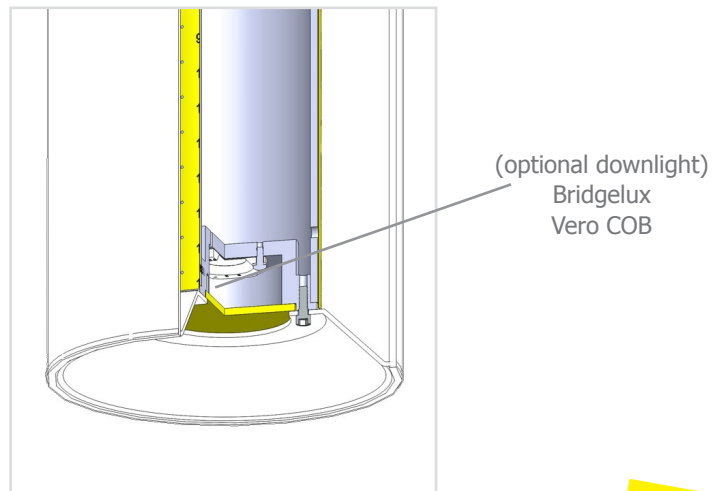
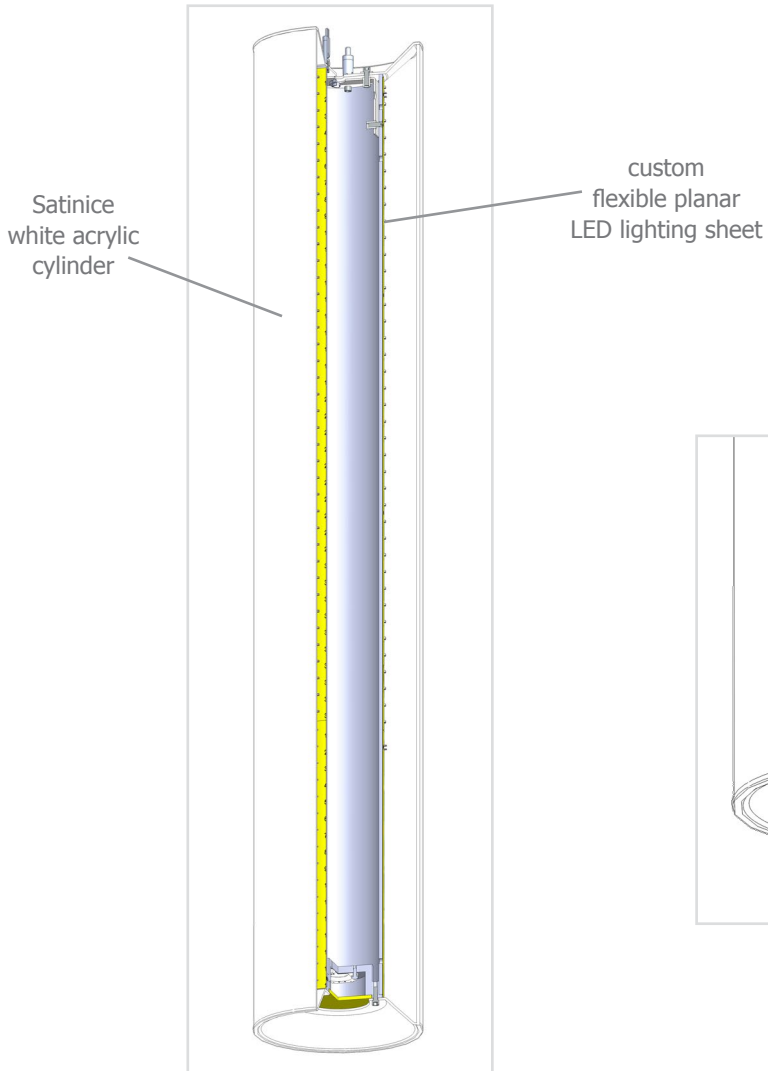
Downlight on



Downlight off



No downlight



Calculation Table

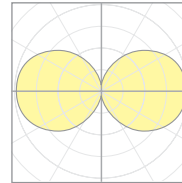
Cat No	Delivered* Lumens	Watts 120V/277V	IES File #	LLF to be applied
P9412 HI	1355	14	19618	.47
P9418 LO	1600	17	19618	.55
P9418 HI	2095	22	19618	.72
P9424 LO	2095	22	19618	.72
P9424 HI	2660	28	19618	.92
P9436 LO	3200	34	19618	1.10
P9436 HI	4065	43	19618	1.40
P9448 LO	4190	44	20621	.83
P9448 HI	5420	57	20621	1.08
P9472 LO	6405	67	20621	1.27
P9472 HI	8375	88	20621	1.67

*delivered lumens based on 4000K, 90+ cri

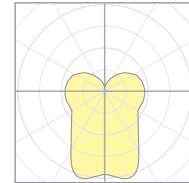
Tests are for each element separately and must be "stacked" to represent single fixture
Consult factory for applications assistance

The application of a Light Loss Factor is required to:

- match the lumen output for the power module specified
- incorporate the increased lumen output due to LED/Driver upgrades



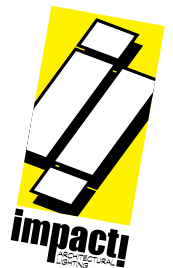
20621
P9448-40HI



19630
P9448-40HI-40DL

Cat No	Delivered* Lumens	Watts 120V/277V	IES File #	LLF to be applied
Downlight				
40 LO	1300	21	20622	.89
40 HI	1800	23	20622	1.23

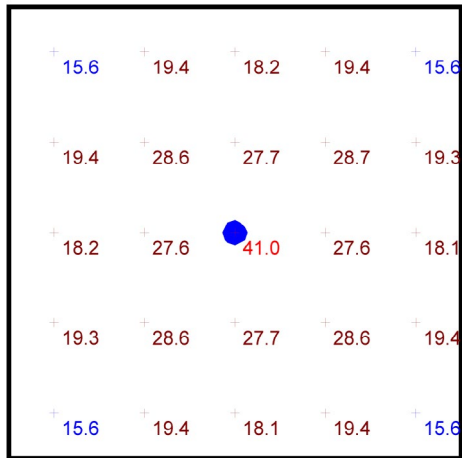
*delivered lumens based on 4000K, 90+ cri



Typical Lighting Layout

- 10' x 10' x 14'H space
- 80/50/20 reflectances
- bottom of fixture at 8' aff
- FC readings at 2.5' aff
- layout conducted using P9448 HI output unit (5420 lumens w/ 1300 lumen down light)

Statistics						
Description	Symbol	Avg	Max	Min	Max/Min	Avg/Min
i.rod.6	+	22.2 fc	41.0 fc	15.6 fc	2.6:1	1.4:1



Plan View
Scale - 1" = 2ft

