

job name:
 type:

n.r.20ob™ spec sheet

material

trim ring

precision CNC spun .063" aluminum. rolled top edge for added strength.

diffuser

.125" virgin white acrylic inner lens.

optics

reflector

22 gauge aluminum powder coat painted high reflectance matte white.

LED

custom LED board in 3000K, 3500K, or 4000K (80+ cri standard) optional 90cri (see below). under normal operating conditions, the LEDs employed are rated for >50,000hrs L70 (6.8K) per IES TM-21 from LM-80 test data. white power cord is standard with other color options listed below.

driver

integral, programmable, UL class P, class 2, universal input (120-277v), constant current, 0-10v dimming, 1% minimum dimming level, PF >.9, THD <20%, protections include open and short circuit, overload and over temperature.

mounting

5"dia. spun steel canopy in satin white. four point vertical suspension of 12 ft long stainless steel cables attach to trim with field adjustable grippers that allow for exact AFF mounting heights. optional quadpod to single point cable suspension, with sloped ceiling adapter.

emergency

recommend use of inverter (by other).



catalog number

--	--	--	--

size

P6426 (2ft) 26"dia X 4"ht

P6438 (3ft) 38"dia X 5.5"ht

P6448 (4ft) 48"dia X 7"ht

LED array

30FX 3000K

30LO 3000K

30HI 3000K

35FX 3500K

35LO 3500K

35HI 3500K

40FX 4000K

40LO 4000K

40HI 4000K

CL xxxx lm
 custom lumens
 consult factory

painted finish

AP anodized paint

BS brass

BU blue

BZ bronze

CP champagne

FB flat black

GM gun metal

MB military blue

MW matte white

OR orange

RD red

SB satin black

SS satin silver

TG textured gray

YO yellow

options

90CRI

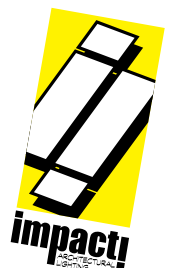
QPD Quadpod hanging system

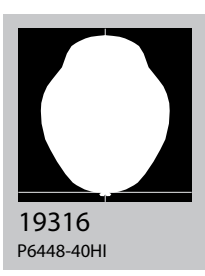
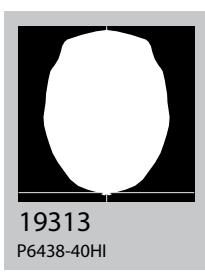
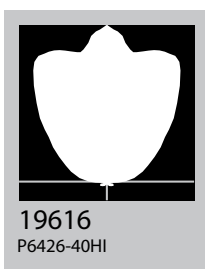
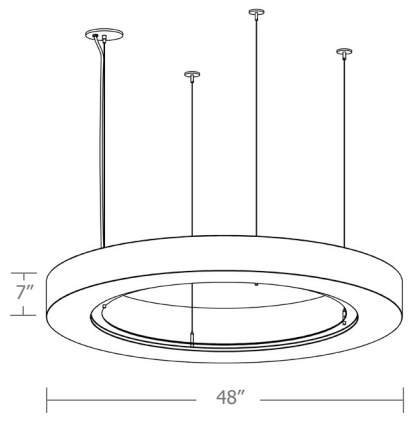
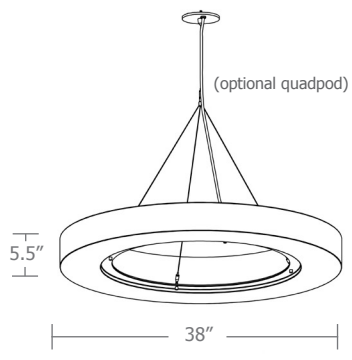
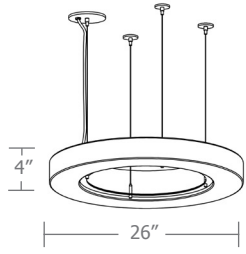
SBPC Silver braid power cord and white canopy

WREM wired for remote EM battery pack
 (by other)
 (see note above)

premium finish

RAL specify RAL#

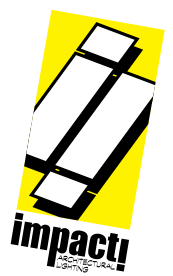




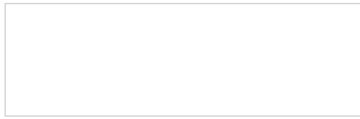
Cat No	Delivered* Lumens	Watts		Amps	
		120V / 277V	120V	277V	

Cat No	Delivered* Lumens	Watts 120V / 277V	Amps 120V	Amps 277V
P6426 FX				
P6426 LO	3838	29	.24	.10
P6426 HI	7147	54	.45	.19
ies file # 19616				
P6438 FX				
P6438 LO	3902	33.5	.28	.12
P6438 HI	7571	71.6	.60	.26
ies file # 19313				
P6448 FX				
P6448 LO	6838	53.4	.45	.19
P6448 HI	11242	96.1	.80	.35
ies file # 19316				

*delivered lumens based on 4000K, 80+ cri (90cri multiplier .83)



Powder Coat Paint Finishes



MW matte white



AP anodized paint



SS satin silver



TG textured gray



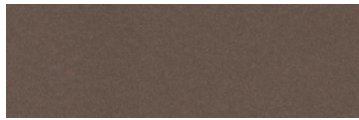
FB flat black



SB satin black



CP champagne



BZ bronze



GM gun metal



OR orange 2011



BU blue 5017



BS brass



RD red 3020



YO yellow 1018



MB military blue

For accurate color verification, actual finish samples are available upon request.

Premium Finishes*



RAL#

*Available on select series. Consult product submittal for availability.

