

job name:   
 type:

# kupola XL™ spec sheet 90CRI

**material**

**housing**  
 spun .125" aluminum housing available in two-tone powder coat paint finishes listed below.

**diffuser**  
 .125" Satinice WD855 light scattering, glare reduction acrylic. Colorless diffusion reduces CCT shift. 72% high light transmission. snaps in place with hidden hardware.

**LED**  
 custom LED board in 3000K, 3500K, or 4000K (90+ cri standard). LEDs are rated >50,000 hours L70 (10K) at 85°C per LM-80 test data, and 70,000 hours projected life per IES TM-21.

**driver**  
 in canopy, constant current, class P, class 2 power unit, class A sound rating, universal input (120-277V) programmable driver, 1% minimum dimming level, PF >0.90. protections include short circuit, input/output isolation and surge protection (3KV). wired for 0-10v dimming.

**mounting**  
 spun aluminum canopy painted to match fixture. multiple options listed below. rigid mount 1/2" dia stem standard, painted to match fixture.

**finish**  
**outer**  
 select from standard powder coat paint finishes or specify RAL# for custom colors.  
**inner**  
 select from brass, matte white, or satin black powder coat paint.

**emergency**  
 if required, recommend use of inverter (by other).

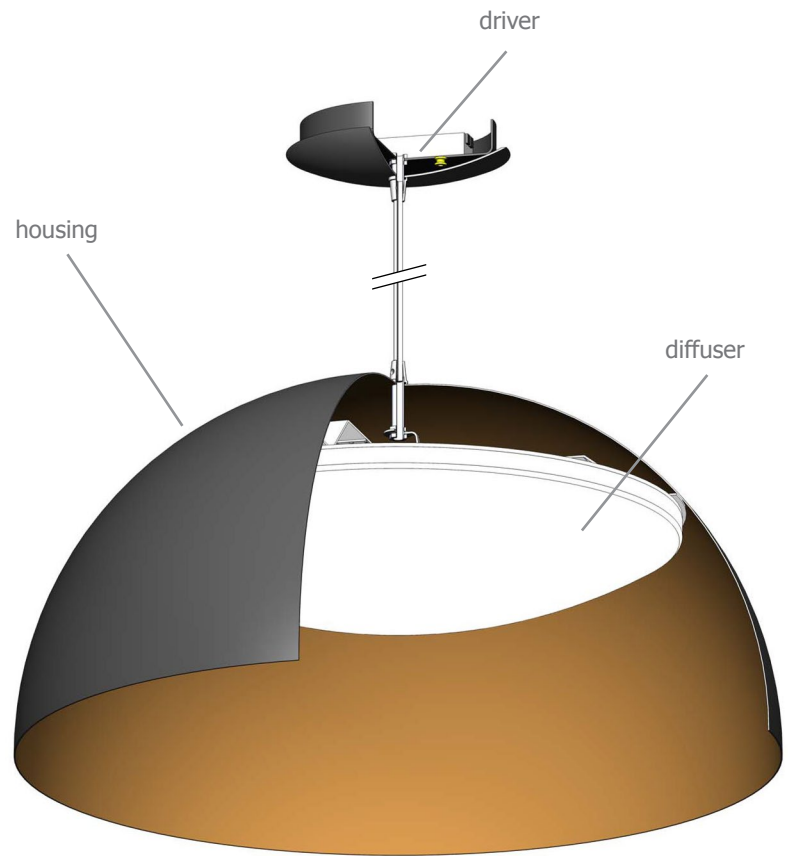
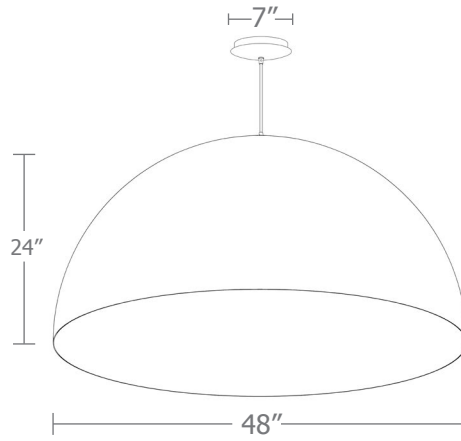
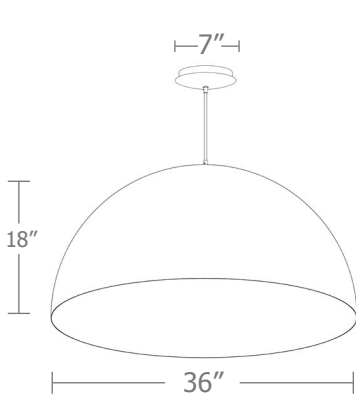


## catalog number

--	--	--	--	--	--

size	CCT	lumens	outer finish	inner finish	options
<b>P1636</b> 36"dia X18"ht	<b>30</b> 3000K	<b>LO</b> 3700 lm	<b>AP</b> anodized paint	<b>BS</b> brass	<b>STM3</b> 36" stem
	<b>35</b> 3500K	<b>HI</b> 6600 lm	<b>BS</b> brass	<b>MW</b> matte white	<b>STM4</b> 48" stem
	<b>40</b> 4000K		<b>BU</b> blue	<b>SB</b> satin black <small>*consult factory for other options</small>	
<b>P1648</b> 48"dia X 24"ht	<b>30</b> 3000K	<b>LO</b> 4150 lm	<b>BZ</b> bronze		
	<b>35</b> 3500K	<b>HI</b> 8300 lm	<b>CP</b> champagne		
	<b>40</b> 4000K		<b>FB</b> flat black		
			<b>GM</b> gun metal		
			<b>MB</b> military blue		
			<b>MW</b> matte white		
			<b>OR</b> orange		
			<b>RD</b> red		
			<b>SB</b> satin black		
			<b>SS</b> satin silver		
			<b>TG</b> textured gray		
			<b>YO</b> yellow		
			<b>premium finish</b> <b>RAL</b> specify RAL#		





## Calculation Table

The application of a Light Loss Factor is required to:

- match the lumen output for the power module specified
- incorporate the increased lumen output due to LED/Driver upgrades

Cat No	Delivered* Lumens	Watts 120V / 277V	IES File	LLF to be applied
<b>P1636 LO</b>	3700	43	<b>L092311803</b>	.83
<b>P1636 HI</b>	6600	76	<b>L092311803</b>	1.48
<b>P1648 LO</b>	4150	48	<b>L092311803</b>	.93
<b>P1648 HI</b>	8300	96	<b>L092311803</b>	1.87

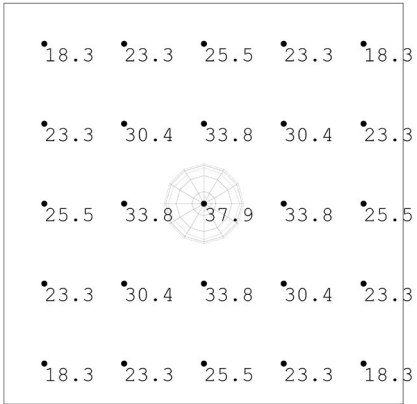
\* delivered lumens based on 4000K, 90+ cri, matte white inner finish.  
 for brass inner finish use .75 multiplier.  
 for satin black inner finish use .72 multiplier.

## Typical Lighting Layout

Schedule					
Quantity	Manufacturer	Catalog Number	Description	Lamp	Wattage
1	Impact Architectural Lighting	P1624 40HI	24" dia. pendant kupola	4000k 90cri LED	46

- 10' x 10' x 12'H space
- 80/50/20 reflectances
- fixture at 10' aff
- FC readings at 2.5' aff
- layout conducted using P1624 HI lumen 90 CRI package providing 4450 delivered lumens

Statistics						
Description	Symbol	Avg	Max	Min	Max/Min	Avg/Min
kupola	+	26.25fc	37.9 fc	18.3 fc	2.1	1.4:1



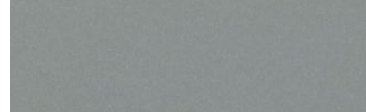
## Powder Coat Paint Finishes



**MW** matte white



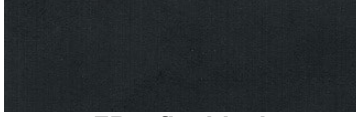
**AP** anodized paint



**SS** satin silver



**TG** textured gray



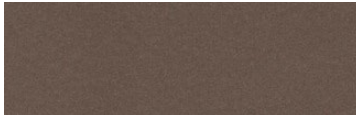
**FB** flat black



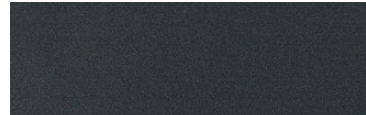
**SB** satin black



**CP** champagne



**BZ** bronze



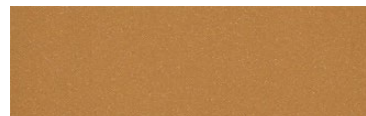
**GM** gun metal



**OR** orange 2011



**BU** blue 5017



**BS** brass



**RD** red 3020



**YO** yellow 1018



**MB** military blue

For accurate color verification, actual finish samples are available upon request.

## Premium Finishes\*



**RAL#**

\*Available on select series. Consult product submittal for availability.