

job name:   
 type:

# x.pōs.d™ spec sheet 90CRI

## material

4" dia ribbed extruded aluminum outer housing in two lengths available in 2 anodized and 12 standard powder coat paint finishes listed below.

## LED

COB in 2700K, 3000K, 3500K, or 4000K (90 cri standard) rated >36,000 hours L70 (6.8K) per LM-80 test data, and 71,000 hours projected life per IES TM-21.

## downlight optics

LEDiL® Angela 120mm dia 74mm high (RoHS compliant) available in 10° spot, 30° medium, 45° wide with specular anodized finish. color mixing sublens standard. standard mounting clamp allows for easy replacement of reflector in field. the typical total beam angle is the full angle measured where the luminous intensity is half of the peak volume.

## driver

constant current, class P, class 2 power unit, class A sound rating, universal input (120-277V) programmable driver; 5% minimum dimming level, PF >0.90. protections include short circuit, input/output isolation and surge protection (3KV). wired for 0-10v dimming from factory.

## mounting

### standard

driver in junction box (requires 2 1/8" deep electrical box). ultrathin vertical stainless steel cables and field adjustable grippers that allow for exact AFF mounting heights. cloth-covered power cord color options listed below. cloth cord requires special stripping tool (link). 5" dia canopy painted to match fixture.

### canopy mounted driver (CDVR) (optional)

5" dia canopy with 4" x 3.5" ribbed extruded aluminum painted to match fixture (see image below)

### remote enclosure (.LV) (optional)

the standard driver can be remote mounted up to 33ft from the LED. suspension length should be considered in distance. remote enclosure supplied. for distances greater than 33ft consult factory. for Chicago Plenum installation consult factory.

### power over cable (POC) (optional)

Class 2 LED powered suspension system that suspends and powers the fixture with thin stainless steel copper-core conductive cables, providing a clean look without the need for a separate power cord. powered suspension requires cable cutter (link) specifically designed to cut stainless steel aircraft cable from 1/32" to 1/8". 5" dia canopy painted to match fixture.

## finish

select from 2 anodized and 12 standard powder coat paint finishes listed below or specify RAL# for custom colors.

## emergency

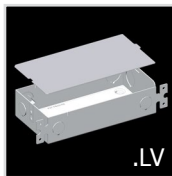
if required, recommend use of inverter (by other).



## catalog number

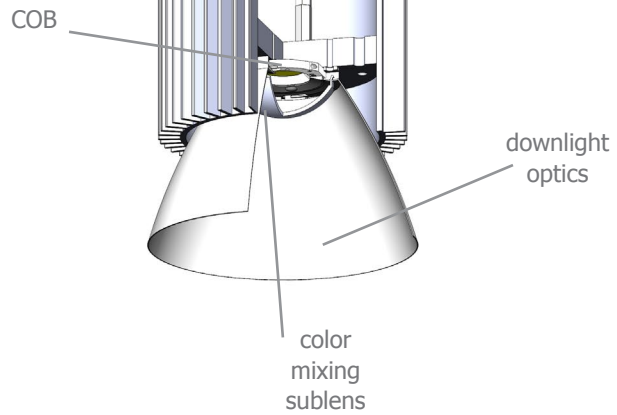
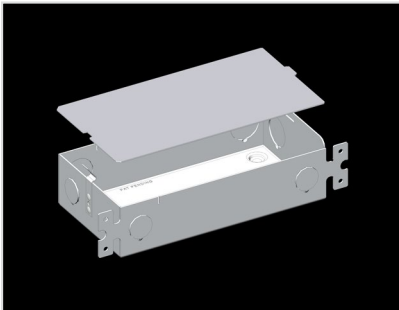
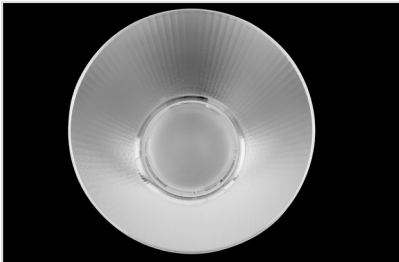
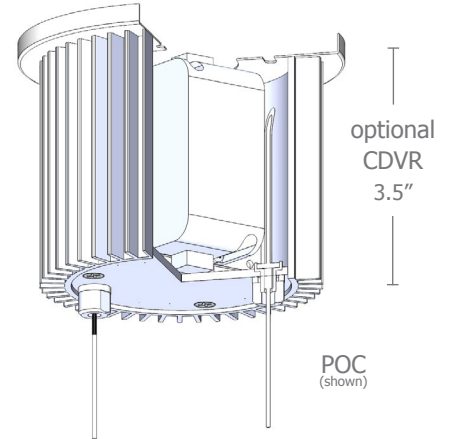
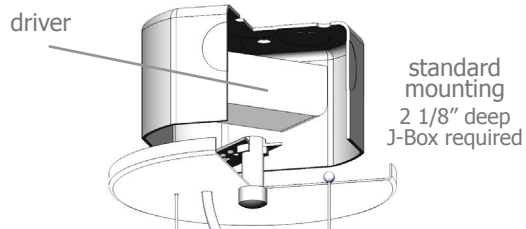
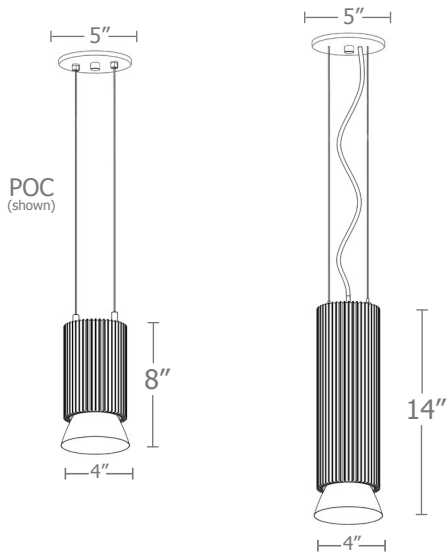
|  |  |  |  |  |  |  |
|--|--|--|--|--|--|--|
|  |  |  |  |  |  |  |
|--|--|--|--|--|--|--|

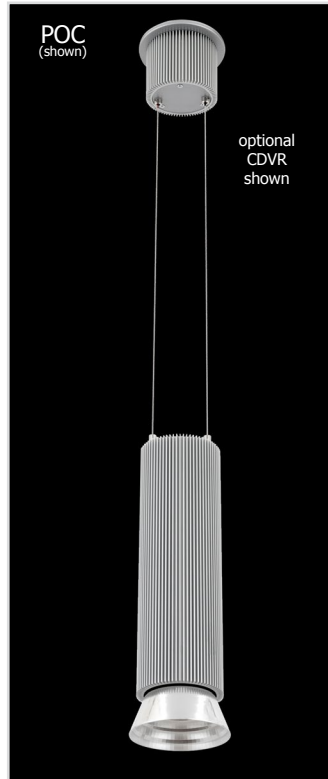
| size  | beam              | CCT             | lumens            | anodized finishes         | power cord                              | options                           |
|---|-------------------|-----------------|-------------------|---------------------------|---|-----------------------------------|
| <b>P4408</b> driver in j-box                        | <b>S</b> 10° spot | <b>27</b> 2700K | <b>L1</b> 395 lm  | <b>AN</b> silver anodized | <b>BUPC</b> blue cloth cord             | <b>3FT</b> 36" cables             |
| <b>P4408.LV</b> remote enclosure<br>4" dia X 8" ht  | <b>M</b> 30° med  | <b>30</b> 3000K | <b>L2</b> 695 lm  | <b>ANB</b> anodized black | <b>ORPC</b> orange cloth cord           | <b>6FT</b> 72" cables             |
|   | <b>W</b> 45° wide | <b>35</b> 3500K | <b>L3</b> 995 lm  | <b>painting finish</b>    | <b>PLPC</b> purple cloth cord           | <b>CDVR</b> canopy mounted driver |
| <b>P4414</b> driver in j-box                        |                   | <b>40</b> 4000K | <b>H1</b> 1390 lm | <b>BS</b> brass           | <b>RDPC</b> red cloth cord              |                                   |
| <b>P4414.LV</b> remote enclosure<br>4" dia X 14" ht |                   |                 | <b>H2</b> 1985 lm | <b>BU</b> blue            | <b>WGPC</b> white & gray dot cloth cord |                                   |
|   |                   |                 | <b>H3</b> 2780 lm | <b>BZ</b> bronze          | <b>POC</b> power over cable             |                                   |
|   |                   |                 |                   | <b>CP</b> champagne       |   |                                   |
|   |                   |                 |                   | <b>GM</b> gun metal       |   |                                   |
|   |                   |                 |                   | <b>MB</b> military blue   | <b>WHPC</b> white cord                  |                                   |
|   |                   |                 |                   | <b>MW</b> matte white     | <b>BKPC</b> black cord                  |                                   |
|   |                   |                 |                   | <b>OR</b> orange          | <b>SBPC</b> silver braid cord           |                                   |
|   |                   |                 |                   | <b>RD</b> red             |   |                                   |
|   |                   |                 |                   | <b>SS</b> satin silver    |   |                                   |
|   |                   |                 |                   | <b>TG</b> textured gray   |   |                                   |
|   |                   |                 |                   | <b>YO</b> yellow          |   |                                   |



premium finish  
RAL specify RAL#



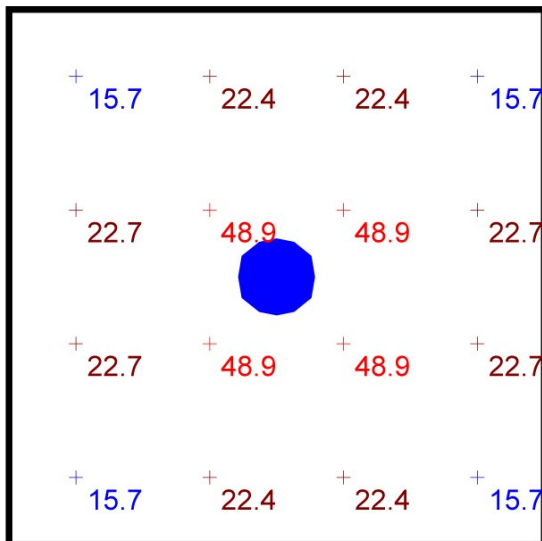




## Typical Lighting Layout

| Statistics  |        |         |         |         |         |         |
|-------------|--------|---------|---------|---------|---------|---------|
| Description | Symbol | Avg     | Max     | Min     | Max/Min | Avg/Min |
| x.pos.d     | +      | 27.4 fc | 48.9 fc | 15.7 fc | 3.1:1   | 1.7:1   |

performance



**Plan View**  
Scale - 1" = 2ft

- 8' x 8' x 16'H space
- 80/50/20 reflectances
- bottom of fixture at 14' aff
- FC readings at 2.5' aff
- layout conducted using P4414 unit with H3 lumen 90 CRI package providing 2780 delivered lumens

# Calculation Table

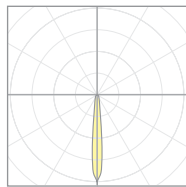
Consult factory for applications assistance

| Cat No    | Delivered* Lumens | Watts 120V / 277V | IES File #         | LLF to be applied |
|-----------|-------------------|-------------------|--------------------|-------------------|
| <b>L1</b> | 395               | 4                 | <b>07221C</b> spot | .14               |
|           |                   |                   | <b>07221B</b> med  | .14               |
|           |                   |                   | <b>07221A</b> wide | .14               |
| <b>L2</b> | 695               | 7                 | <b>07221C</b> spot | .25               |
|           |                   |                   | <b>07221B</b> med  | .25               |
|           |                   |                   | <b>07221A</b> wide | .25               |
| <b>L3</b> | 995               | 10                | <b>07221C</b> spot | .36               |
|           |                   |                   | <b>07221B</b> med  | .36               |
|           |                   |                   | <b>07221A</b> wide | .36               |
| <b>H1</b> | 1390              | 14                | <b>07221C</b> spot | .50               |
|           |                   |                   | <b>07221B</b> med  | .50               |
|           |                   |                   | <b>07221A</b> wide | .50               |
| <b>H2</b> | 1985              | 21                | <b>07221C</b> spot | .71               |
|           |                   |                   | <b>07221B</b> med  | .71               |
|           |                   |                   | <b>07221A</b> wide | .71               |
| <b>H3</b> | 2780              | 28                | <b>07221C</b> spot | 1.0               |
|           |                   |                   | <b>07221B</b> med  | 1.0               |
|           |                   |                   | <b>07221A</b> wide | 1.0               |

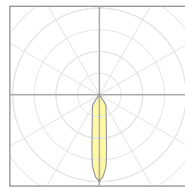
\*delivered lumens based on 4000K, 90+ cri

The application of a Light Loss Factor is required to:

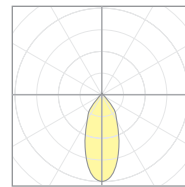
- match the lumen output for the power module specified
- incorporate the increased lumen output due to LED/Driver upgrades



**07221C**  
P4408-S-40-H3  
S 10° spot



**07221B**  
P4408-M-40-H3  
M 30° med



**07221A**  
P4408-W-40-H3  
W 45° wide

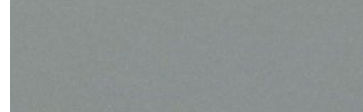
## Powder Coat Paint Finishes



**MW** matte white



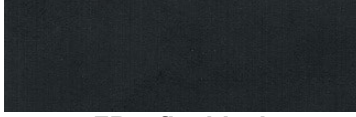
**AP** anodized paint  
**AN** silver anodized



**SS** satin silver



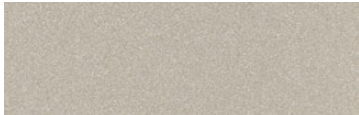
**TG** textured gray



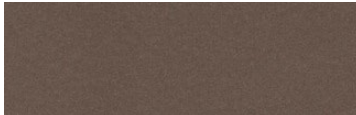
**FB** flat black



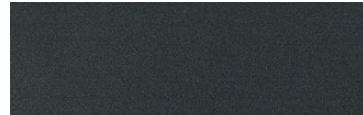
**SB** satin black  
**ANB** anodized black



**CP** champagne



**BZ** bronze



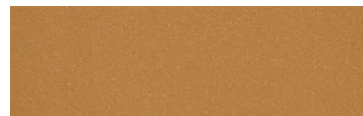
**GM** gun metal



**OR** orange 2011



**BU** blue 5017



**BS** brass



**RD** red 3020



**YO** yellow 1018



**MB** military blue

For accurate color verification, actual finish samples are available upon request.

## Premium Finishes\*



**RAL#**

\*Available on select series. Consult product submittal for availability.