

job name:   
 type:

# sq.too™ spec sheet 90CRI

**material**  
 2" smooth square extruded architectural 6063 aluminum outer housing in six lengths.

**LED**  
 COB in 2700K, 3000K, 3500K, or 4000K 90+ cri standard rated >36,000 hours L70 (6.8K) per LM-80 test data, and 71,000 hours projected life per IES TM-21.

**downlight optics**  
 Khatod® Cosmo 50mm dia 16mm high (RoHS compliant) available in 12° spot, 25° medium, 38° wide

**driver**  
 constant current, class P, class 2 power unit, class A sound rating, universal input (120-277V) programmable driver, 5% minimum dimming level, PF >0.90. protections include short circuit, input/output isolation and surge protection (3KV). wired for 0-10v dimming from factory.

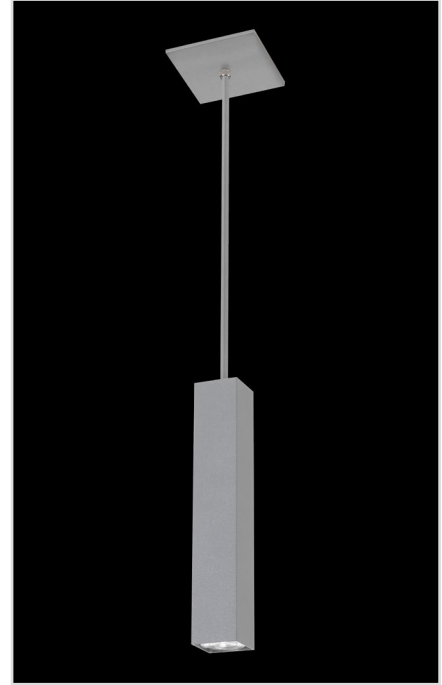
**mounting standard**  
 driver in junction box (requires 2 1/8" deep electrical box). 5"sq canopy painted to match fixture. rigid mount 3/8"dia stem standard. painted to match fixture. satin black canopy standard on wood finishes.

**canopy mounted driver (CDVR)** (optional)  
 2"sq x 6"h extruded aluminum driver housing on 5"sq canopy painted to match fixture. rigid mount 3/8"dia stem standard. painted to match fixture.

**remote enclosure (.LV)** (optional)  
 the standard driver can be remote mounted up to 33ft from the LED. suspension length should be considered in distance. remote enclosure supplied. for distances greater than 33ft consult factory. for Chicago Plenum installation consult factory.

**finish**  
 select from 15 standard powder coat paint finishes or 3 wood finishes (listed below) or specify RAL# for custom colors.

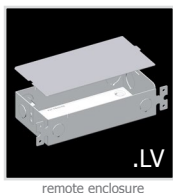
**emergency**  
 if required, recommend use of inverter (by other).

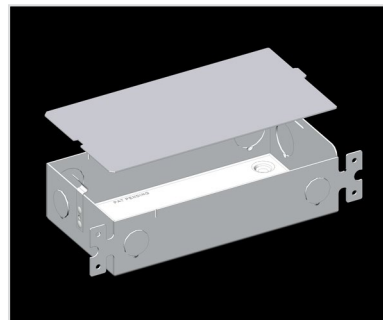
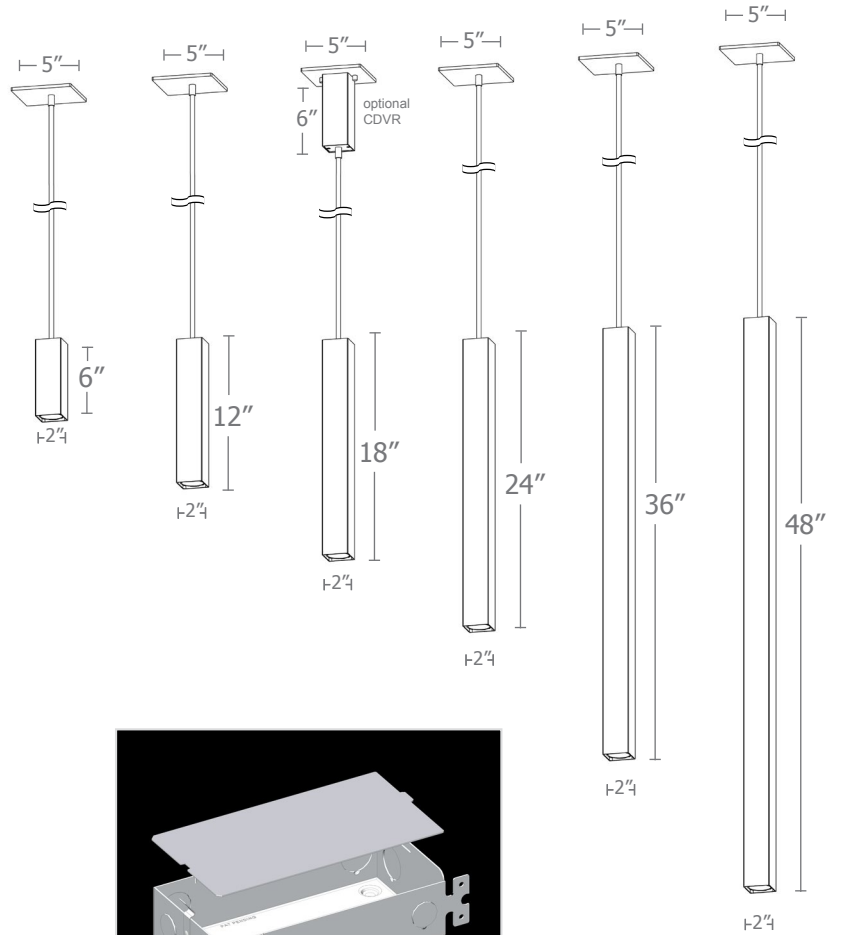
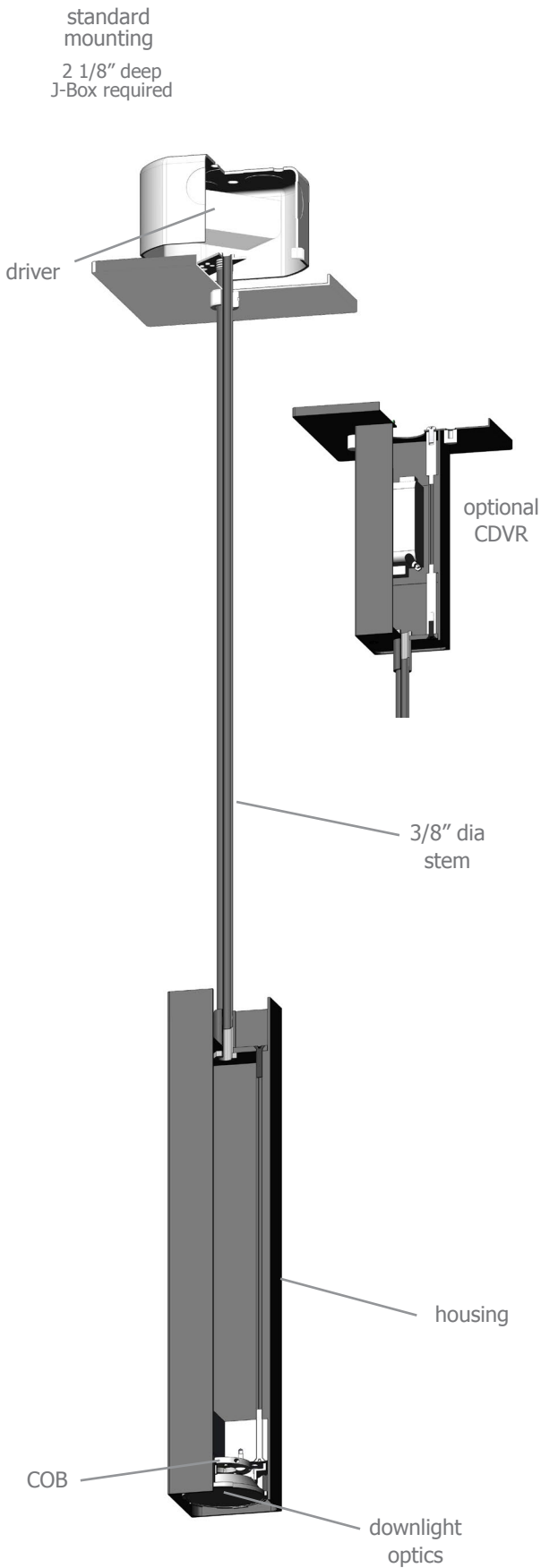


## catalog number

--	--	--	--	--	--

size	beam	CCT	lumens	painting finish	options
<b>P4006</b> driver in j-box <b>P4006.LV</b> remote enclosure 2"sq X 6"ht	<b>S</b> 12° spot <b>M</b> 25° med <b>W</b> 38° wide	<b>27</b> 2700K <b>30</b> 3000K <b>35</b> 3500K <b>40</b> 4000K	<b>L1</b> 360 lm <b>L2</b> 630 lm <b>L3</b> 900 lm <b>H1</b> 1265 lm <b>H2</b> 1805 lm	<b>AP</b> anodized paint <b>BS</b> brass <b>BU</b> blue <b>BZ</b> bronze <b>CP</b> champagne <b>FB</b> flat black <b>GM</b> gun metal <b>MB</b> military blue <b>MW</b> matte white <b>OR</b> orange <b>RD</b> red <b>SB</b> satin black <b>SS</b> satin silver <b>TG</b> textured gray <b>YO</b> yellow	<b>STM1</b> 12" stem <b>STM2</b> 24" stem <b>STM3</b> 36" stem <b>CDVR</b> canopy mounted driver
<b>P4012</b> driver in j-box <b>P4012.LV</b> remote enclosure 2"sq X 12"ht					
<b>P4018</b> driver in j-box <b>P4018.LV</b> remote enclosure 2"sq X 18"ht					
<b>P4024</b> driver in j-box <b>P4024.LV</b> remote enclosure 2"sq X 24"ht					
<b>P4036*</b> driver in j-box <b>P4036.LV*</b> remote enclosure 2"sq X 36"ht					
<b>P4048*</b> driver in j-box <b>P4048.LV*</b> remote enclosure 2"sq X 48"ht					
				<b>premium finish</b> RAL specify RAL#	
				<b>wood finish</b> <b>ASH</b> ashwood <b>ENG</b> english brown oak <b>ESP</b> espresso	





# Calculation Table

Consult factory for applications assistance

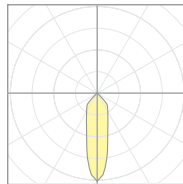


Cat No	Delivered* Lumens	Watts 120V / 277V	IES File #	LLF to be applied
<b>L1</b>	360	3	<b>07222C</b> spot	.30
			<b>07222B</b> med	.30
			<b>07222A</b> wide	.30
<b>L2</b>	630	6	<b>07222C</b> spot	.53
			<b>07222B</b> med	.53
			<b>07222A</b> wide	.53
<b>L3</b>	900	9	<b>07222C</b> spot	.76
			<b>07222B</b> med	.76
			<b>07222A</b> wide	.76
<b>H1</b>	1265	13	<b>07222C</b> spot	1.07
			<b>07222B</b> med	1.07
			<b>07222A</b> wide	1.07
<b>H2</b>	1805	19	<b>07222C</b> spot	1.52
			<b>07222B</b> med	1.52
			<b>07222A</b> wide	1.52

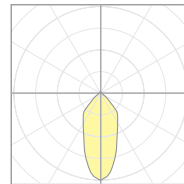
\*delivered lumens based on 4000K, 90+ cri

The application of a Light Loss Factor is required to:

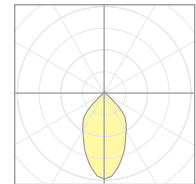
- match the lumen output for the power module specified
- incorporate the increased lumen output due to LED/Driver upgrades



**07222C**  
P40xx-S-40H1  
**S** 12° spot



**07222B**  
P40xx-M-40H1  
**M** 25° med

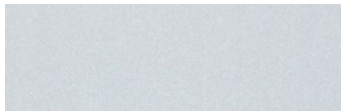


**07222A**  
P40xx-W-40H1  
**W** 38° wide

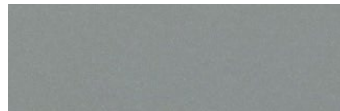
## Powder Coat Paint Finishes



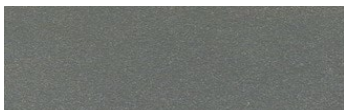
**MW** matte white



**AP** anodized paint



**SS** satin silver



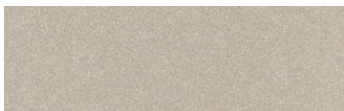
**TG** textured gray



**FB** flat black



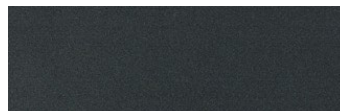
**SB** satin black



**CP** champagne



**BZ** bronze



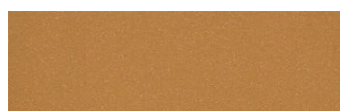
**GM** gun metal



**OR** orange 2011



**BU** blue 5017



**BS** brass



**RD** red 3020



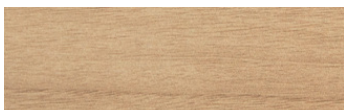
**YO** yellow 1018



**MB** military blue

## Premium Finishes\*

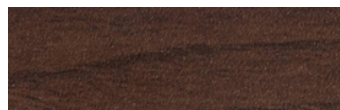
### Wood Finishes



**ASH** ashwood



**ENG** english brown oak



**ESP** espresso

For accurate color verification, actual finish samples are available upon request.



**RAL#**

\*Available on select series. Consult product submittal for availability.