

job name:   
 type:

## sq.too™ spec sheet 90CRI

### material

2"dia smooth square extruded architectural 6063 aluminum outer housing in three lengths available in 15 standard powder coat paint finishes listed below.

### LED

COB in 2700K, 3000K, 3500K, or 4000K 90+ cri standard rated >36,000 hours L70 (6.8K) per LM-80 test data, and 71,000 hours projected life per IES TM-21.

### downlight optics

Khatod Cosmo 50mm dia 16mm high (RoHS compliant) available in 12° spot, 25° medium, 38° wide

### driver

in 2"sq x 6"h canopy, constant current, class P, class 2 power unit, class A sound rating, universal input (120-277V) programmable driver, 5% minimum dimming level, PF >0.90. protections include short circuit, input/output isolation and surge protection (3KV). wired for 0-10v dimming from factory.

### mounting

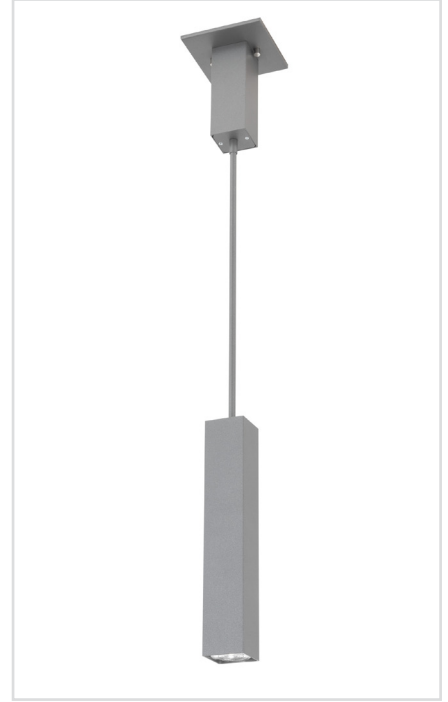
2"sq x 6"h extruded aluminum canopy painted to match fixture. 3/8"dia stem standard. painted to match fixture.

### finish

select from 15 standard powder coat paint finishes listed below or specify RAL# for custom colors.

### emergency

if required, recommend use of inverter (by other).

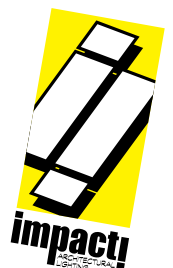


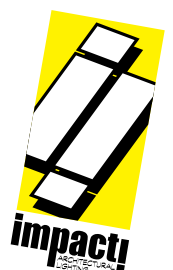
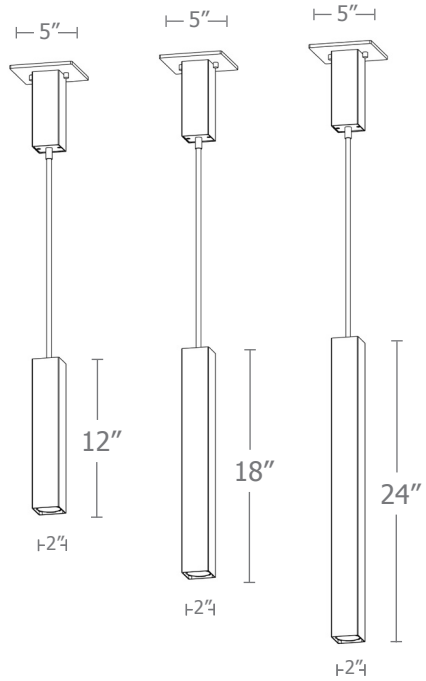
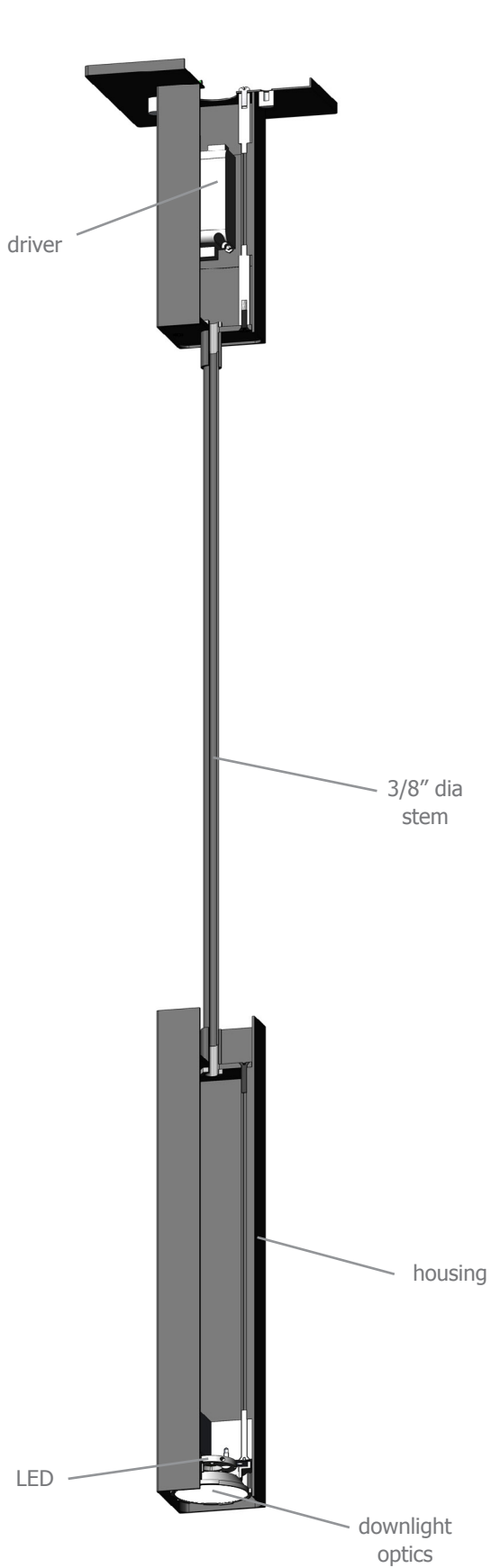
## catalog number

--	--	--	--	--	--

size	beam	CCT	lumens	painting finish	options	
<b>P4012</b> 2"dia X 12"ht	<b>S</b> 12° spot	<b>27</b> 2700K	<b>L1</b> 360 lm	<b>AP</b> anodized paint <b>BS</b> brass <b>BU</b> blue <b>BZ</b> bronze <b>CP</b> champagne <b>FB</b> flat black <b>GM</b> gun metal <b>MB</b> military blue <b>MW</b> matte white <b>OR</b> orange <b>RD</b> red <b>SB</b> satin black <b>SS</b> satin silver <b>TG</b> textured gray <b>YO</b> yellow	<b>STM1</b> 12" stem	
	<b>M</b> 25° med	<b>30</b> 3000K	<b>L2</b> 630 lm		<b>STM2</b> 24" stem	
	<b>W</b> 38° wide	<b>35</b> 3500K	<b>L3</b> 900 lm		<b>STM3</b> 36" stem	
<b>P4018</b> 2"dia X 18"ht		<b>40</b> 4000K	<b>H1</b> 1265 lm			
			<b>H2</b> 1805 lm			
<b>P4024</b> 2"dia X 24"ht						

premium finish  
 RAL specify RAL#





# Calculation Table

Consult factory for applications assistance

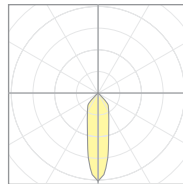


Cat No	Delivered* Lumens	Watts 120V / 277V	IES File #	LLF to be applied
<b>L1</b>	360	3	<b>07222C</b> spot	.30
			<b>07222B</b> med	.30
			<b>07222A</b> wide	.30
<b>L2</b>	630	6	<b>07222C</b> spot	.53
			<b>07222B</b> med	.53
			<b>07222A</b> wide	.53
<b>L3</b>	900	9	<b>07222C</b> spot	.76
			<b>07222B</b> med	.76
			<b>07222A</b> wide	.76
<b>H1</b>	1265	13	<b>07222C</b> spot	1.07
			<b>07222B</b> med	1.07
			<b>07222A</b> wide	1.07
<b>H2</b>	1805	19	<b>07222C</b> spot	1.52
			<b>07222B</b> med	1.52
			<b>07222A</b> wide	1.52

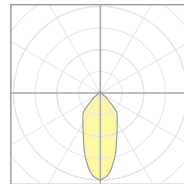
\*delivered lumens based on 4000K, 90+ cri

The application of a Light Loss Factor is required to:

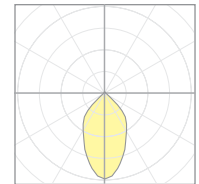
- match the lumen output for the power module specified
- incorporate the increased lumen output due to LED/Driver upgrades



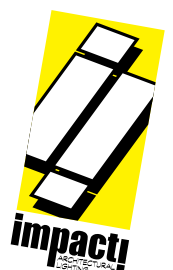
**07222C**  
P40xx-S-40H1  
**S 12° spot**



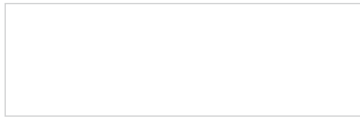
**07222B**  
P40xx-M-40H1  
**M 25° med**



**07222A**  
P40xx-W-40H1  
**W 38° wide**



## Powder Coat Paint Finishes



**MW** matte white



**AP** anodized paint



**SS** satin silver



**TG** textured gray



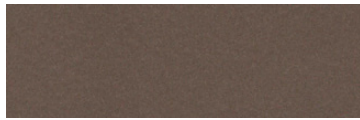
**FB** flat black



**SB** satin black



**CP** champagne



**BZ** bronze



**GM** gun metal



**OR** orange 2011



**BU** blue 5017



**BS** brass



**RD** red 3020



**YO** yellow 1018



**MB** military blue

For accurate color verification, actual finish samples are available upon request.

## Premium Finishes\*



**RAL#**

\*Available on select series. Consult product submittal for availability.

