

job name:   
 type:

**) (ula.linear™ spec sheet 90CRI**

**material**

**housing**

an hourglass curved profile with a soft bullnose bottom return. precision 6063 prime T5 aluminum extrusion. powder coated finish. standard finishes listed below.

**bottom diffuser**

.118" thick laser cut optimum light diffusion acrylic. 72% light transmission with matte surface providing light scattering glare reduction. Colorless diffusion significantly reducing color shift of the LED's.

**top diffuser**

patent-pending Brightwing™ diffuser provides a 94% efficient "batwing" distribution. fixture provides highly-uniform indirect illumination.

**LED**

LED board in 3000K, 3500K, or 4000K (90+ CRI) employing Cree JK2835 281B LEDs. consult factory for 2700K. LEDs are rated >50,000 hours L70 (10K) at 85°C per LM-80 test data, and 70,000 hours projected life per IES TM-21. slim 5C (3-18/2-22) white power cord is standard with other color options listed below.

**driver**

constant current, class P class 2 power unit, class A sound rating, universal input (120-277V) programmable driver, 1% minimum dimming level, PF >0.90. protections include short circuit, input/output isolation and surge protection (3KV). wired for 0-10v dimming from factory.

**mounting**

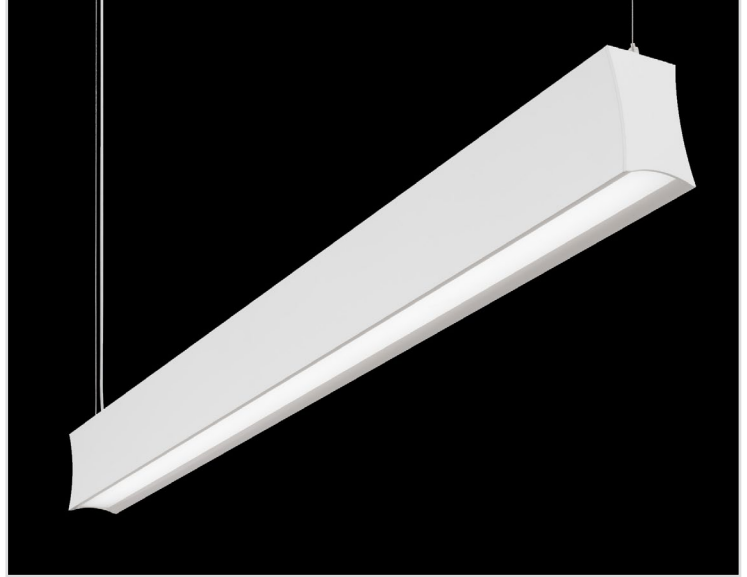
5"dia. spun steel power feed canopy in satin white. two point vertical suspension of stainless steel cables attaches with field adjustable grippers that allow for exact AFF mounting heights. non-powerfeed leg has 2" satin white canopy at top.

**finish**

standard powder coat paint finishes listed below.

**emergency**

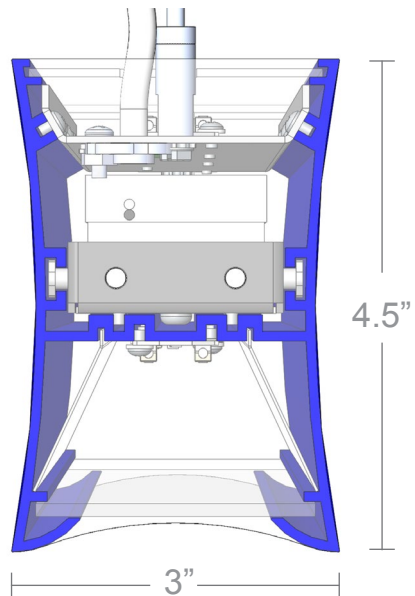
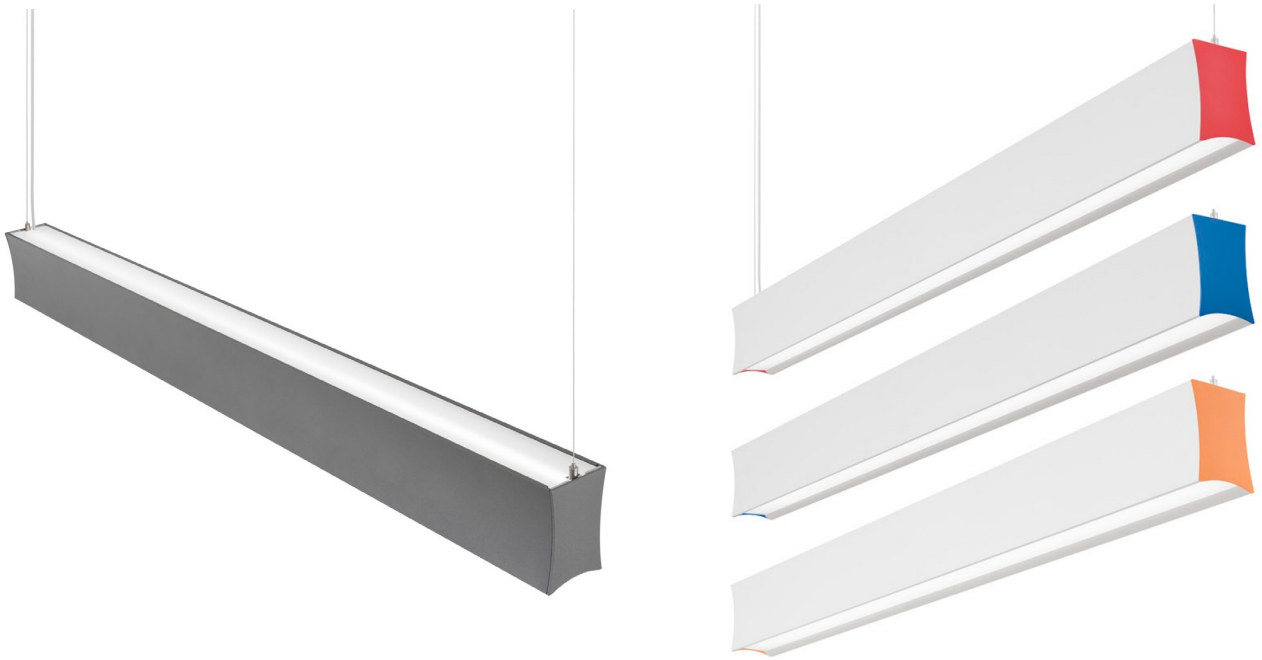
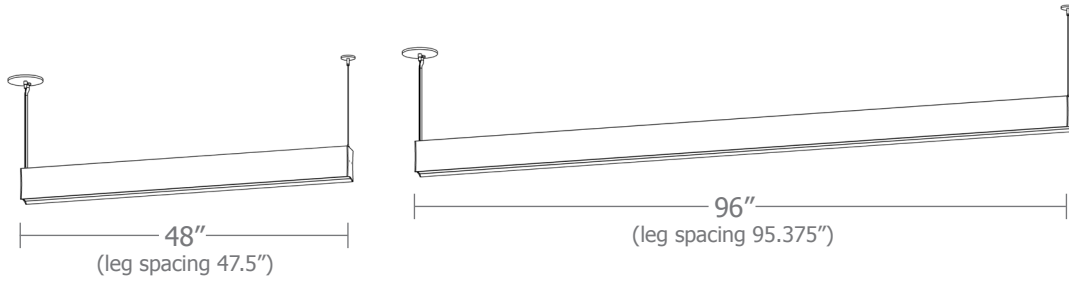
when required, recommend use of inverter (by other). optional WREM: wired for remote EM battery, requires 2nd power cord.



**catalog number**

size	direct LED CCT lumens	indirect LED CCT lumens	paint finish	power cord	options
<b>P7248</b> (4ft) 48"l X 4.5"ht	<b>30</b> 3000K <b>FX</b> 1600 lm (400 lm/ft ; 5w/ft) <b>35</b> 3500K <b>LO</b> 2500 lm (625 lm/ft ; 8w/ft) <b>40</b> 4000K <b>HI</b> 3500 lm (875 lm/ft ; 12w/ft) <b>HX</b> 4000 lm (1000 lm/ft ; 14w/ft) <b>CL</b> xxxx lm custom lumens consult factory (1200-4400 lm)	<b>30</b> 3000K <b>FX</b> 1600 lm (400 lm/ft ; 4w/ft) <b>35</b> 3500K <b>LO</b> 2500 lm (625 lm/ft ; 7w/ft) <b>40</b> 4000K <b>HI</b> 3500 lm (875 lm/ft ; 9w/ft) <b>HX</b> 4000 lm (1000 lm/ft ; 11w/ft) <b>NUL</b> no uplight <b>CL</b> xxxx lm custom lumens consult factory (1200-5600 lm)	<b>AP</b> anodized paint <b>BS</b> brass <b>BU</b> blue <b>BZ</b> bronze <b>CP</b> champagne <b>FB</b> flat black <b>GM</b> gun metal <b>MB</b> military blue <b>MW</b> matte white <b>OR</b> orange <b>RD</b> red <b>SB</b> satin black <b>SS</b> satin silver <b>TG</b> textured gray <b>YO</b> yellow	<b>WHPC</b> white power cord and canopy <b>BKPC</b> black power cord and canopy <b>SBPC</b> silver braid power cord and white canopy	<b>3FT</b> 36" cables <b>6FT</b> 72" cables <b>DCDM</b> Dual circuit dimming (requires second power cord) <b>ECXX</b> color end caps (XX = painted finish) <b>WREM</b> wired for remote EM battery pack (by other) (see note above)
<b>P7296*</b> (8ft) 96"l X 4.5"ht	<b>30</b> 3000K <b>FX</b> 3300 lm (375 lm/ft ; 5W/ft) <b>35</b> 3500K <b>LO</b> 5000 lm (625 lm/ft ; 8W/ft) <b>40</b> 4000K <b>HI</b> 7100 lm (875 lm/ft ; 12W/ft) <b>HX</b> 8100 lm (1012 lm/ft ; 14W/ft) <b>CL</b> xxxx lm custom lumens consult factory (3200-8800 lm)	<b>30</b> 3000K <b>FX</b> 3200 lm (375 lm/ft ; 4w/ft) <b>35</b> 3500K <b>LO</b> 5000 lm (625 lm/ft ; 6w/ft) <b>40</b> 4000K <b>HI</b> 7000 lm (875 lm/ft ; 9w/ft) <b>HX</b> 8100 lm (1012 lm/ft ; 11w/ft) <b>NUL</b> no uplight <b>CL</b> xxxx lm custom lumens consult factory (3200-11000 lm)	<b>premium finish</b> <b>RAL</b> specify RAL#		





# Quick Calc Table

Tests indicated below are a combination of direct and indirect. LLF are as close as possible.

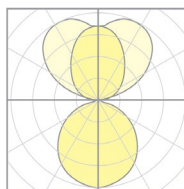
for more detailed calculations see table on next page.

Cat No	Direct Delivered* Lumens	Indirect Delivered* Lumens	Watts 120V / 277V	IES File #	LLF to be applied
<b>P7248 FX FX</b>	1600	1600	38	<b>06212A</b>	.35
<b>P7248 LO LO</b>	2500	2500	58	<b>06212A</b>	.55
<b>P7248 HI HI</b>	3500	3500	81	<b>06212A</b>	.76
<b>P7248 HX HX</b>	4000	4000	93	<b>06212A</b>	.87
<b>P7296 FX FX</b>	3200	3200	75	(2) <b>06212A</b>	.35
<b>P7296 LO LO</b>	5000	5000	115	(2) <b>06212A</b>	.55
<b>P7296 HI LO</b>	7100	7000	161	(2) <b>06212A</b>	.76
<b>P7296 HX HX</b>	8100	8100	185	(2) <b>06212A</b>	.87

\*delivered lumens based on 4000K, 90+ cri (3000K multiplier .95)

The application of a Light Loss Factor is required to:

- match the lumen output for the power module specified
- incorporate the increased lumen output due to LED/Driver upgrades



P7248-HX-HX

# Advanced Calculation Table

Tests are for each element separately and must be "stacked" to represent single fixture  
 Consult factory for applications assistance

## Direct

Cat No	Deliv- ered* Lumens	Watts 120V/277V	IES File #	LLF to be applied
<b>P7248</b>	<b>FX</b> 1600	20	<b>06212C</b>	.38
<b>P7248</b>	<b>LO</b> 2500	31	<b>06212C</b>	.60
<b>P7248</b>	<b>HI</b> 3500	43	<b>06212C</b>	.84
<b>P7248</b>	<b>HX</b> 4000	49	<b>06212C</b>	.96

<b>P7296</b>	<b>FX</b> 3200	40	(2) <b>06212C</b>	.38
<b>P7296</b>	<b>LO</b> 5000	61	(2) <b>06212C</b>	.60
<b>P7296</b>	<b>HI</b> 7100	86	(2) <b>06212C</b>	.84
<b>P7296</b>	<b>HX</b> 8100	98	(2) <b>06212C</b>	.96

\*delivered lumens based on 4000K, 90+ CRI (3000K multiplier .95)

## Indirect

Deliv- ered* Lumens	Watts 120V/277V	IES File #	LLF to be applied
<b>FX</b> 1600	18	<b>06212B</b>	.34
<b>LO</b> 2500	27	<b>06212B</b>	.54
<b>HI</b> 3500	38	<b>06212B</b>	.75
<b>HX</b> 4000	44	<b>06212B</b>	.86

<b>FX</b> 3200	35	(2) <b>06212B</b>	.34
<b>LO</b> 5000	54	(2) <b>06212B</b>	.54
<b>HI</b> 7000	75	(2) <b>06212B</b>	.75
<b>HX</b> 8100	87	(2) <b>06212B</b>	.86

The application of a Light Loss Factor is required to:

- match the lumen output for the power module specified
- incorporate the increased lumen output due to LED/Driver upgrades



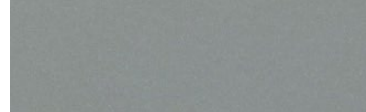
## Powder Coat Paint Finishes



**MW** matte white



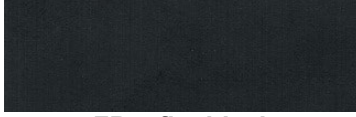
**AP** anodized paint



**SS** satin silver



**TG** textured gray



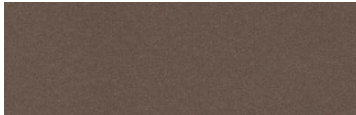
**FB** flat black



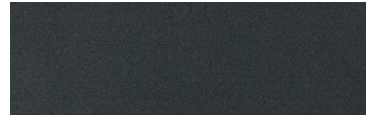
**SB** satin black



**CP** champagne



**BZ** bronze



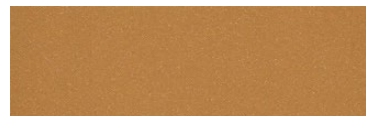
**GM** gun metal



**OR** orange 2011



**BU** blue 5017



**BS** brass



**RD** red 3020



**YO** yellow 1018



**MB** military blue

For accurate color verification, actual finish samples are available upon request.

## Premium Finishes\*



**RAL#**

\*Available on select series. Consult product submittal for availability.