

sq.3.up™ spec sheet direct/indirect

material
 smooth square extruded architectural 6063 aluminum outer housing in four lengths available in 21 standard powder coat paint finishes listed below.

LED
 COBs in 2700K, 3000K, 3500K, or 4000K (90 cri standard) rated >36,000 hours L70 (6.8K) per LM-80 test data, and 71,000 hours projected life per IES TM-21.

downlight optics
 LEDiL® Angelina 82mm dia 31mm high (RoHS compliant) available in 20° spot, 30° medium, 50° wide with specular anodized finish. 90° extra wide features matte white highly reflective finish. color mixing sublens standard. standard mounting clamp allows for easy replacement of reflector in field. the typical total beam angle is the full angle measured where the luminous intensity is half of the peak volume.

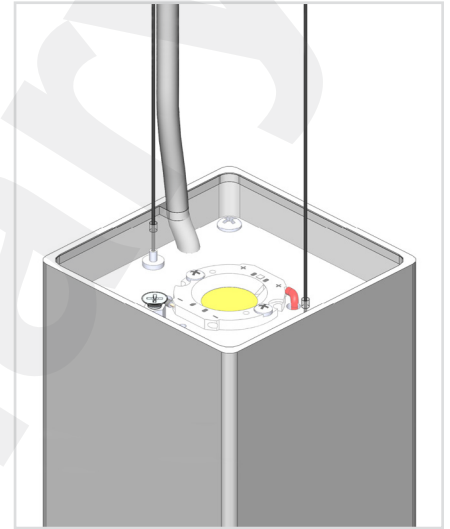
uplight diffuser
 .118" thick laser cut optimum light diffusion acrylic. 72% light transmission with matte surface providing light scattering glare reduction. Colorless diffusion significantly reducing color shift of the LED's.

drivers
 in canopy, constant current, class P, class 2 power units, class A sound rating, universal input (120-277V) programmable driver; 5% minimum dimming level, PF >0.90. protections include short circuit, input/output isolation and surge protection (3KV). wired for 0-10v dimming from factory.

mounting
 extruded aluminum driver canopy painted to match fixture. ultrathin vertical stainless steel cables and field adjustable grippers that allow for exact AFF mounting heights. silver braid power cord standard. special universal mounting bracket allows EC to clock fixture orientation during installation.

finish
 select from 21 standard powder coat paint finishes listed below or specify RAL# for custom colors.

emergency
 if required, recommend use of inverter (by other).



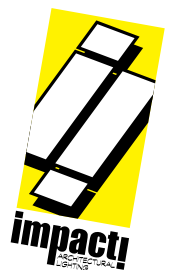
catalog number

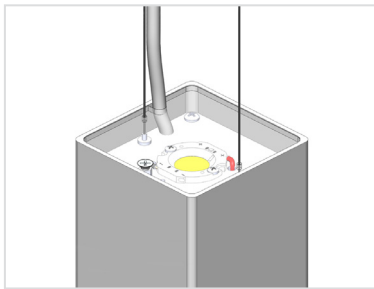
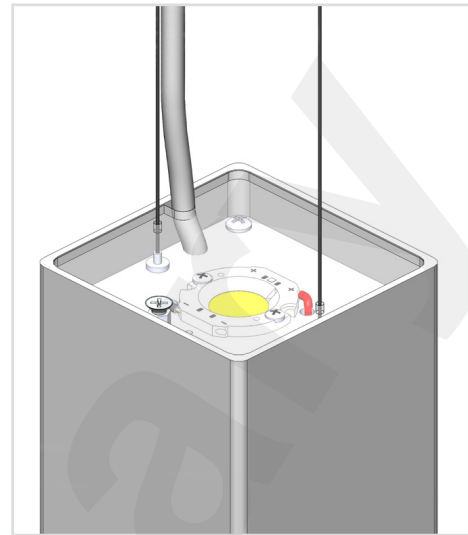
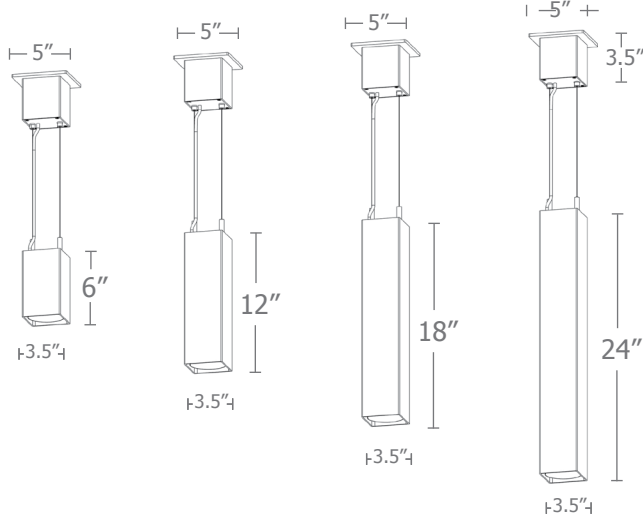
direct

indirect

| size | downlight beam spread | CCT | downlight lumens | uplight lumens | anodized finishes | options |
|------------------------------------|--|--|--|---|---|--|
| P6606.up 3.5"dia X 6"ht | S 20° spot M 30° med W 50° wide XW 90° extra wide | 27 2700K 30 3000K 35 3500K 40 4000K | L1 400 lm L2 700 lm L3 1000 lm H1 1400 lm H2 1990 lm | L1 340 lm L2 600 lm L3 850 lm | AP anodized paint BN brown BR brick red BS brass BU blue BZ bronze CP champagne FB flat black GM gun metal GR green MB military blue MN mint MW matte white OR orange PL purple RD red SB satin black SS satin silver TG textured gray TW textured white YO yellow | 3FT 36" cables 6FT 72" cables |
| P6612.up 3.5"dia X 12"ht | | | L1 400 lm L2 700 lm L3 1000 lm H1 1400 lm H2 1990 lm H3 2780 lm | L1 340 lm L2 600 lm L3 850 lm H1 1185 lm | | |
| P6618.up 3.5"dia X 18"ht | | | | | | |
| P6624.up 3.5"dia X 24"ht | | | | | | |

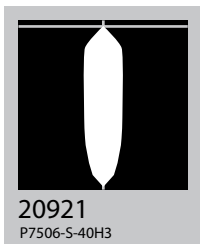
premium finish
 RAL specify RAL#





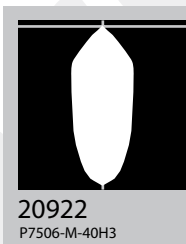
| Cat No | Watts | | Watts | |
|------------|--------------------------------|------------------|----------------------------------|---------------------|
| | Direct Delivered* Lumens | 120V / 277V | Indirect Delivered* Lumens | 120V / 277V |
| L1 | 400 | 4 | 340 | 4 |
| L2 | 700 | 7 | 600 | 7 |
| L3 | 1000 | 10 | 850 | 10 |
| H1 | 1400 | 14 | 1185 | 14 |
| H2 | 1990 | 20 | | |
| H3 | 2780 | 28 | | |
| | S 20° spot | M 30° med | W 50° wide | XW 90° extra |
| ies file # | 20921 | 20922 | 20923 | 20924 |

*delivered lumens based on 4000K, 90+ cri



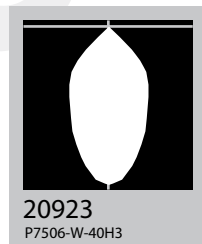
20921
P7506-S-40H3

S 20° spot



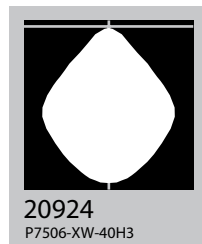
20922
P7506-M-40H3

M 30° med



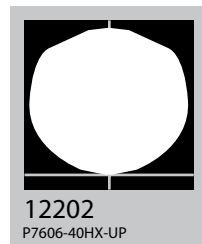
20923
P7506-W-40H3

W 50° wide

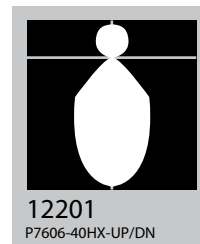


20924
P7506-XW-40H3

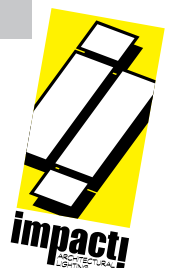
XW 90° extra wide



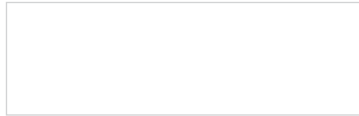
12202
P7606-40HX-UP



12201
P7606-40HX-UP/DN



Powder Coat Paint Finishes



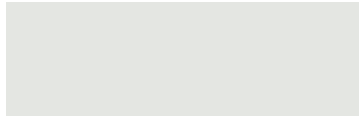
MW matte white



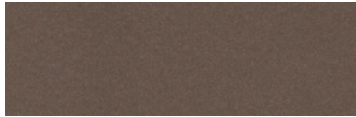
CP champagne



YO yellow 1018



TW textured white



BZ bronze



RD red 3020



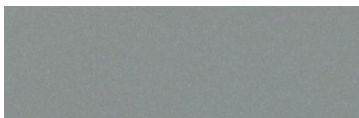
AP anodized paint



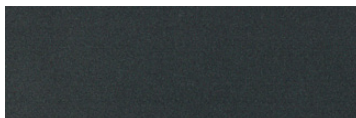
BS brass



BU blue 5017



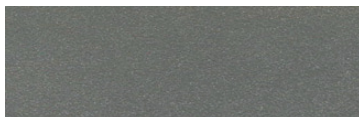
SS satin silver



GM gun metal



OR orange 2011



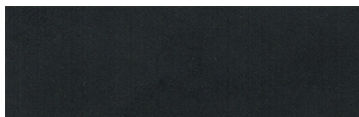
TG textured gray



BR brick red



MN mint 6019



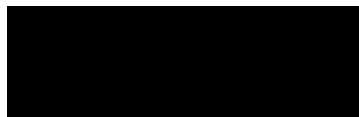
FB flat black



BN brown 8023



GR green 6018



SB satin black



MB military blue



PL purple 4005

For accurate color verification, actual finish samples are available upon request.

Premium Finishes*



RAL#

*Available on select series. Consult product submittal for availability.

