

i.rod.4™ spec sheet

LED

flexible planar LED lighting sheet in 3000K, 3500K, or 4000K (90CRI), utilizing emitters rated at >77,000hrs L₇₀ per TM21-11 from LM80 data. white power cord standard. optional silver braid power cord.

end caps

comprised of two graduated diameter .100" thick aluminum plates. designed to center the acrylic diffuser and block light leaks. powder coat painted matte white.

driver

in canopy, class 2, class P universal input (120-277v), constant current, 0-10v dimming, 1% minimum dimming level, PF >.9, THD <20%, protections include open and short circuit, overload and over temperature.

diffuser

4" dia. .118" Satinice white acrylic cylinder, featuring light diffusion beads evenly distributed throughout the material for optimum light diffusion.

mounting

7"dia. spun .064" aluminum canopy in matte white, single stainless steel cable and field adjustable gripper that allows for exact AFF mounting heights.

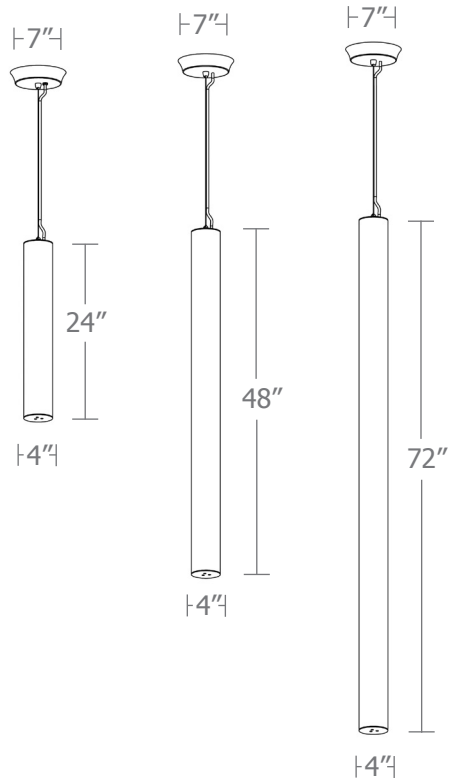
emergency

recommend use of inverter (by other).
 optional WREM: wired for remote EM battery (by other).



catalog number

size	CCT	lumens	power cord	options
P9324 (2ft) 4"dia X 24"ht	30 3000K 35 3500K 40 4000K	LO 1200 lm HI 2150 lm CL* xxxx lm (940lm-3200lm) custom lumens consult factory	WHPC white power cord and canopy SBPC silver braid power cord and white canopy	6FT 72" cables 12FT 144" cables WREM wired for remote EM battery pack <small>(by other) (see note above)</small>
P9348 (4ft) 4"dia X 48"ht	30 3000K 35 3500K 40 4000K	LO 2400 lm HI 4300 lm CL* xxxx lm (1900im-6450lm) custom lumens consult factory		
P9372 (6ft) 4"dia X 72"ht	30 3000K 35 3500K 40 4000K	LO 3600 lm HI 6450 lm HX 7500 lm CL* xxxx lm (3000lm-9100lm) custom lumens consult factory		



Cat No	Delivered Lumens*	Watts		Amps	
		120V/277V	120V	277V	277V
P9324 LO	1200	13	0.12	0.05	
P9324 HI	2150	23	0.16	0.07	
P9348 LO	2400	25	0.21	0.09	
P9348 HI	4300	45	0.37	0.16	
P9372 LO	3600	38	0.31	0.14	
P9372 HI	6450	68	0.57	0.25	
P9372 HX	7500	79	0.66	0.29	

*preliminary delivered lumens based on 4000K, 90 cri

