

(ula™ spec sheet

material

trim ring
 an hourglass curved profile with a soft bullnose bottom return. precision 6063 prime T5 aluminum extrusions roll-formed into a perfect circle. powder coated matte white (MW) finish.

diffuser
 .118" thick laser cut optimum light diffusion acrylic. 72% light transmission with matte surface providing light scattering glare reduction. Colorless diffusion significantly reducing color shift of the LED's.

LED
 custom LED board in 3000K, 3500K, or 4000K (80 cri) optional 90cri (see below). employing Samsung 281B mid power LEDs. LEDs are rated >50,000 hours L70 (10K) at 85°C per LM-80 test data, and 70,000 hours projected life per IES TM-21. slim 5C (3-18/2-22) white power cord is standard with other color options listed below.

driver
 constant current, class P class 2 power unit, class A sound rating, universal input (120-277V) programmable driver, 1% minimum dimming level, PF >0.90. protections include short circuit, input/output isolation and surge protection (3KV). wired for 0-10v dimming from factory.


mounting
 5"dia. spun steel canopy in satin white. three point vertical suspension of 12 ft long stainless steel cables attach to trim with field adjustable grippers that allow for exact AFF mounting heights. optional tripod to single point cable suspension (TPD). see notes below.

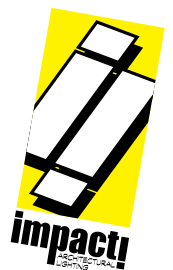
finish
 standard matte white powder coat painted finish. premium finish process for colored rings starts with matte white powder coat to preserve fixture performance. frame is masked to keep color from penetrating light chamber. top coat is then applied.

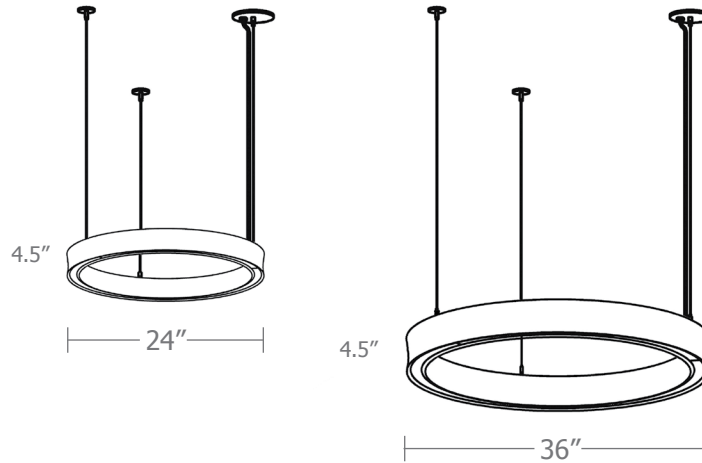
emergency
 when required, recommend use of inverter (by other).



catalog number

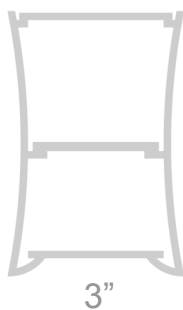
size	direct LED	indirect LED	standard finish	options
P7424 (2ft) 24"dia X 4.5"ht	30LO 3000K 30HI 3000K	30LO 3000K 30HI 3000K	MW matte white	90CRI
P7436 (3ft) 36"dia X 4.5"ht	35LO 3500K 35HI 3500K	35LO 3500K 35HI 3500K	premium finish RAL specify RAL #	BKPC Black power cord and canopy DCDM Dual circuit dimming (requires second power cord)
P7448 (4ft) 48"dia X 4.5"ht (40 lbs)	40LO 4000K 40HI 4000K	40LO 4000K 40HI 4000K	 RAL	FTL Frosted top lens SBPC Silver braid power cord and white canopy
P7460* (5ft) 60"dia X 4.5"ht (50 lbs)	CL* xxxx lm custom lumens consult factory	NUL no uplight CL* xxxx lm custom lumens consult factory	contact factory for information on gloss levels available.	TPD Tripod hanging system**
P7472* (6ft) 72"dia X 4.5"ht (60 lbs) * requires structural mount				** tripod suspension requires min. leg length. see page 2 for details





Cat No	Direct Delivered* Lumens	Watts		Amps		Indirect Delivered* Lumens	Watts		Amps	
		120V/277V	120V	277V	120V/277V		120V	277V		
P7424 LO		41	.34	.15		13	.11	.05		
4000K	3260				1597					
3500K	3162				1549					
3000K	3097				1517					
P7424 HI		83	.69	.30		25	.21	.09		
4000K	6520				3189					
3500K	6324				3093					
3000K	6194				3030					
P7436 LO		62	.52	.22		19	.16	.07		
4000K	4890				2393					
3500K	4743				2321					
3000K	4646				2273					
P7436 HI		124	1.03	.45		38	.32	.14		
4000K	9780				4789					
3500K	9487				4645					
3000K	9291				4550					

*delivered lumens based on 4000K, 80+ cri (90cri multiplier .83)



4.5"

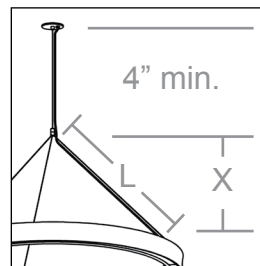
3"



RAL # 6018

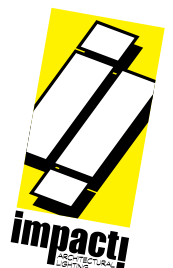


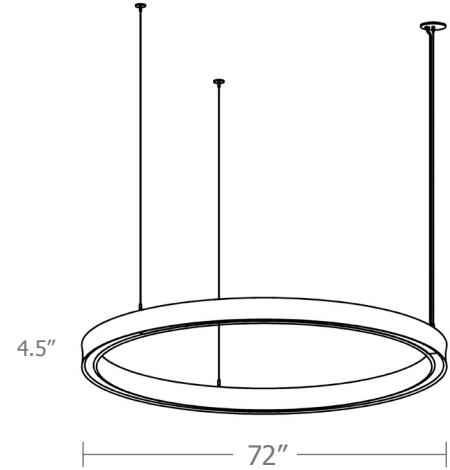
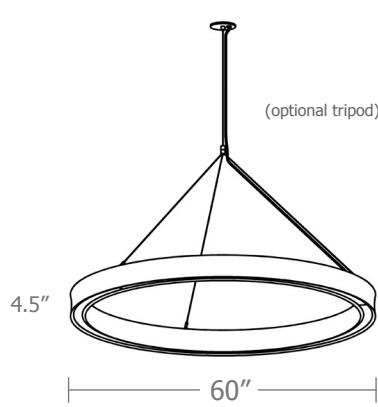
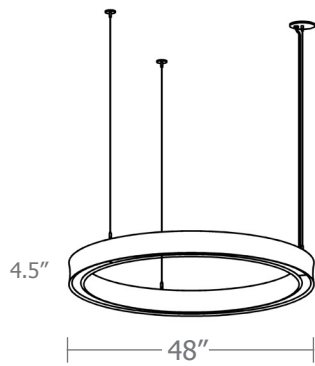
RAL # 5002



tripod suspension
requires min. leg length.

	L	X
P7424	14" leg	6.5"
P7436	21" leg	10"
P7448	28" leg	14"
P7460	35" leg	17"
P7472	42" leg	21"





Cat No	Direct Delivered* Lumens	Watts		Amps		Indirect Delivered* Lumens	Watts		Amps	
		120V/277V	120V	277V	120V/277V		120V	277V		
P7448 LO		81	.68	.29		25	.21	.09		
4000K	6305					2969				
3500K	6116					2880				
3000K	5990					2821				
P7448 HI		162	1.35	.58		49	.41	.18		
4000K	12610					5938				
3500K	12232					5760				
3000K	11980					5641				
P7460 LO		100	.83	.36		37	.31	.13		
4000K	7900					4585				
3500K	7663					4447				
3000K	7505					4356				
P7460 HI		200	1.67	.72		73	.61	.26		
4000K	15800					9170				
3500K	15326					8895				
3000K	15010					8712				
P7472 LO		127	1.06	.46		40	.33	.14		
4000K	10025					5305				
3500K	9724					5146				
3000K	9524					5040				
P7472 HI		254	2.12	.92		79	.66	.29		
4000K	20049					10610				
3500K	19448					10292				
3000K	19047					10080				

*delivered lumens based on 4000K, 80+ cri (90cri multiplier .83)

