

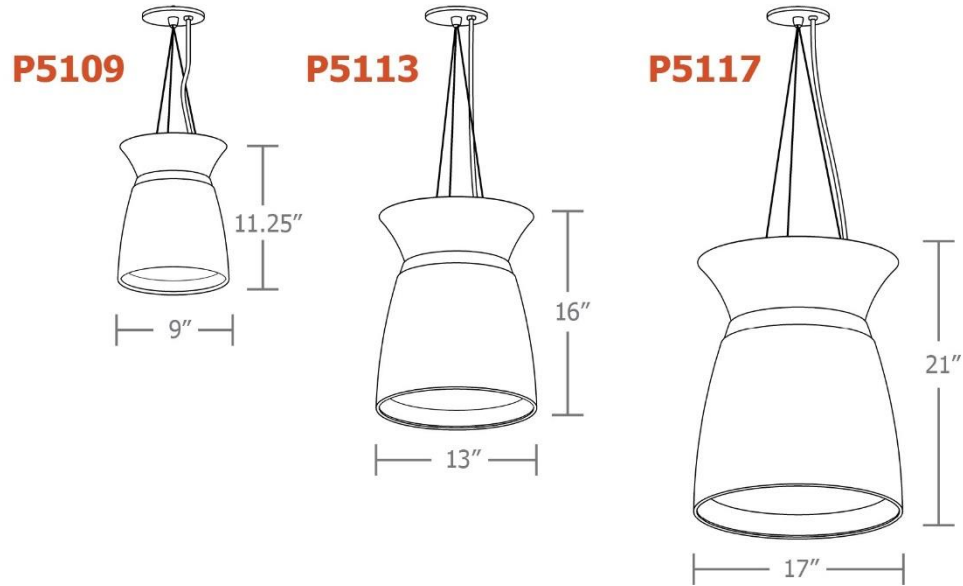


## tiki™ 5-slider

your lighting rep has recommended  
the **tiki™** direct/indirect pendant  
for your project  
Let's take a quick look:

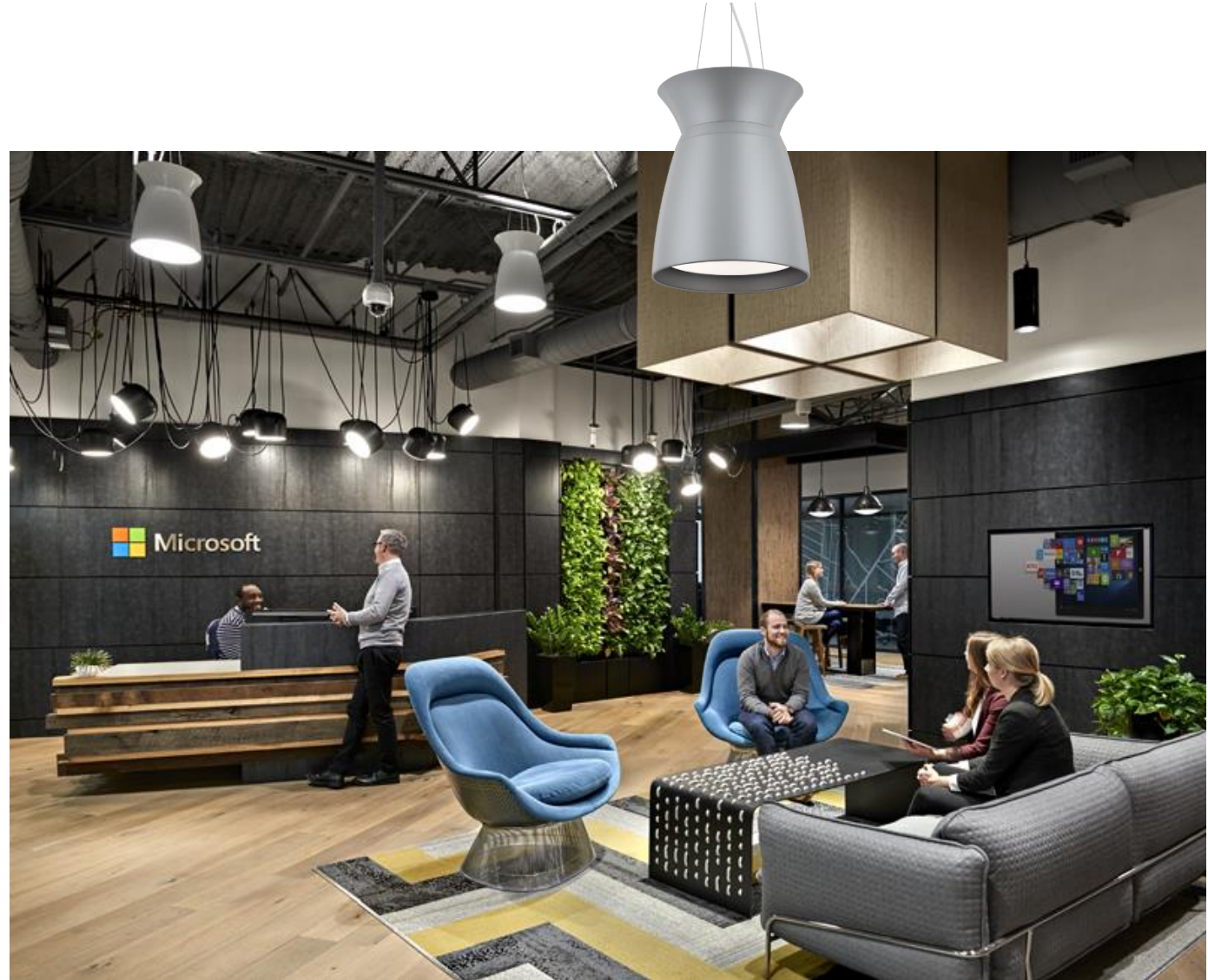


## sizes and lumens



direct / (optional) indirect

- P5109 (9"): 995–2780 lm / 970 lm
- P5113 (13"): 1585–4120 lm / 775-1940 lm
- P5117 (17"): 2580–4985 lm / 775-2135 lm



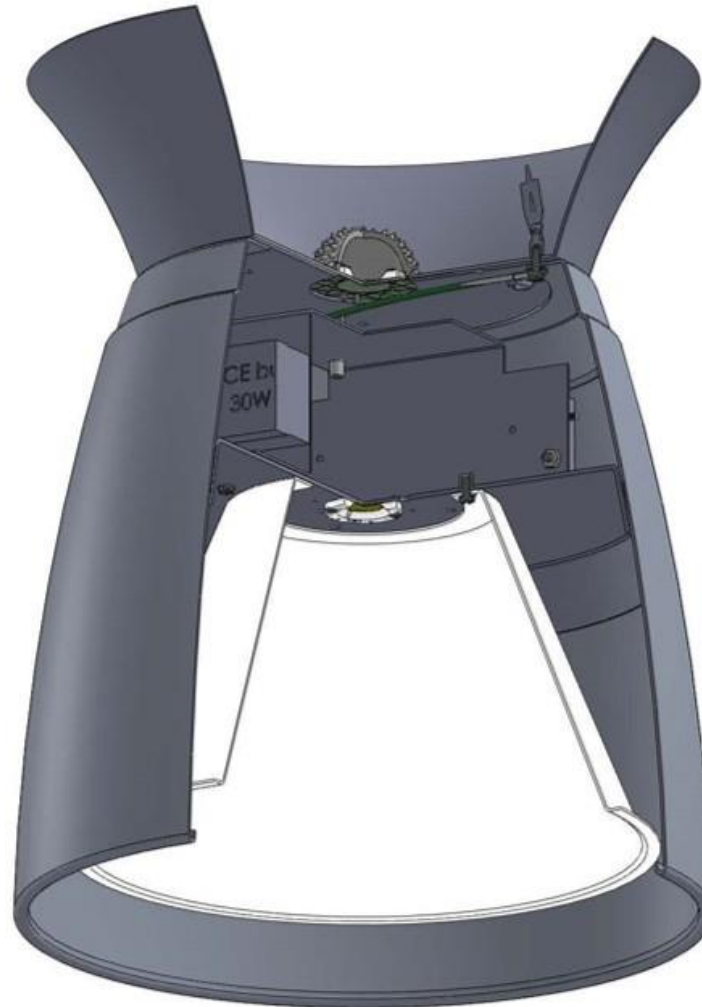
# construction

dual COB direct/indirect light distribution w/ dual circuit option  
2700K, 3000K, 3500K, 4000K,  
**90+ CRI**

integral programmable drivers, field maintainable, universal input (120-277v), 0-10v controllable to 1% dimming

downlight portion either open, frosted flat acrylic lens

5" dia. mounting canopy with stainless steel cable tripod and field adjustable grippers for exact mounting height



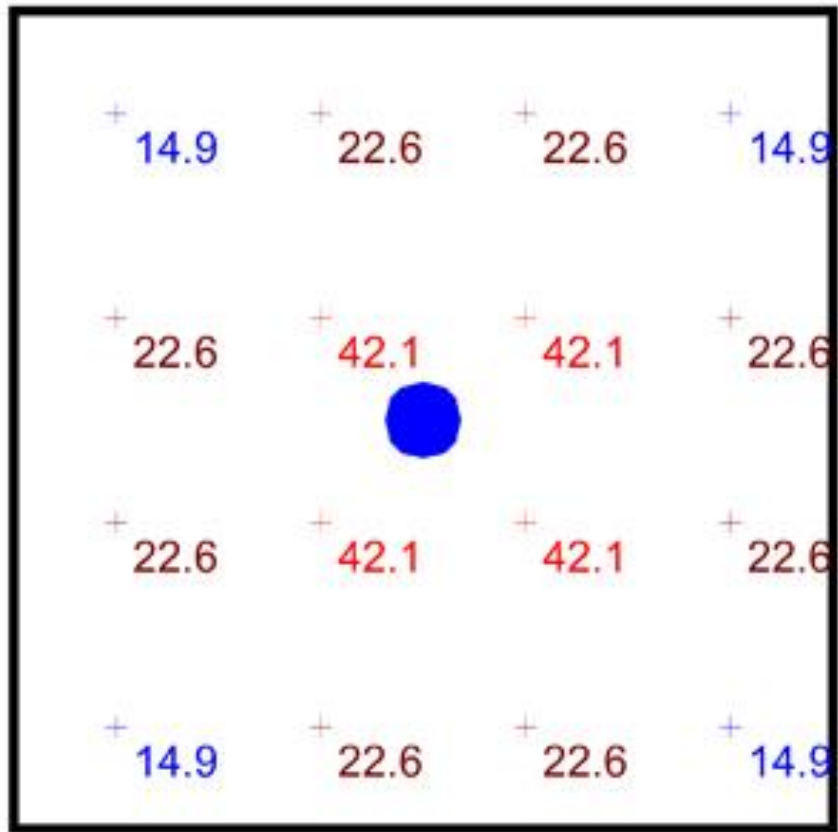
15 standard powder coat paint finishes + custom RAL colors

two-piece precision CNC spun .063" aluminum housing. inverted bell upright element. downlight housing with rolled bottom edge for added strength.

.050" spun aluminum conical reflector finished in high reflectance (>92%) matte white powder coat

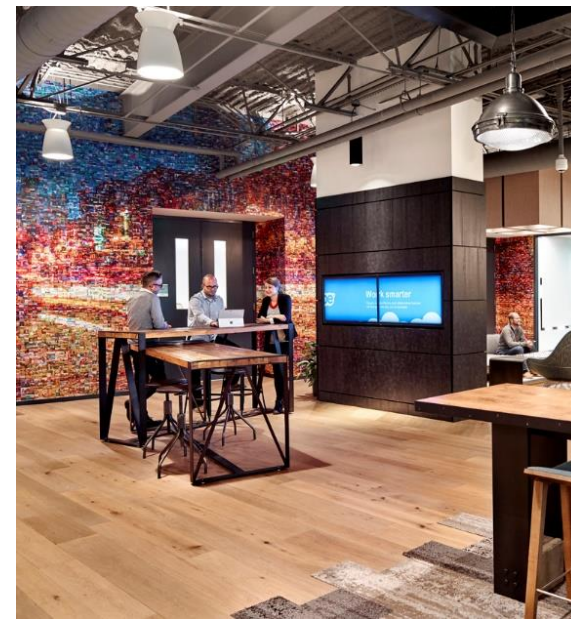
# performance

Statistics						
Description	Symbol	Avg	Max	Min	Max/Min	Avg/Min
tiki	+	25.5 fc	42.1 fc	14.9 fc	2.8:1	1.7:1



- 8' x 8' x 10'H space
- 80/50/20 reflectances
- bottom of fixture at 8' aff
- FC readings at 2.5' aff
- layout conducted using P5109 90cri (HX) 2780 direct and 970 indirect lumens





[www.impactltg.com](http://www.impactltg.com)

- spec sheet and color chart
- photometric files and BIM models
- built to order in Saint Louis, MO, USA
- 4-week lead time

tiki™ 5-slider

