

job name:
 type:

sq.air™ LED spec sheet

material

housing

brake formed and welded aluminum.

diffuser

.125" virgin gloss white acrylic panels.

optics

reflector

.050 aluminum painted high reflectance powder coat matte white.

lamp lens

.125" P95 frost acrylic lens.

efficiency

constant current driver operates LED consistently, regulating the current flow through it to produce the most consistent light output and efficiency. constant current driver protects LEDs from voltage fluctuations in the building power system, eliminating stress from over voltage, inrush surges, and flicker from voltage fluctuations, assuring long service life.

LED

custom LED board in 3000K, 3500K, or 4000K (80 cri). under normal operating conditions, the LEDs employed are rated for >36,000hrs L70 (6.8K) per IES TM-21 from LM-80 test data, and 71,000hrs L70 projected life. white power cord is standard with other color options listed below.

driver

Roal Strato series, class 2 power unit, built-in active PFC function, universal input (120-277 vac), 10% minimum dimming level, PF >80, protections include short circuit, over current, over voltage and over temperature. wired for 0-10v dimming from factory.

mounting

5"dia. spun steel canopy in satin white. four point vertical suspension of 12 ft long stainless steel cables attach to trim with field adjustable grippers that allow for exact AFF mounting heights.

emergency

emergency not available. if required, recommend use of inverter (by other).



catalog number

--	--	--	--

size

P6826
(2ft) 26.75"dia X 12"ht

P6838*
(3ft) 38.75"dia X 14"ht

P6848**
(4ft) 48.75"dia X 16"ht

LED array

30LO 3000K
30HI 3000K

35LO 3500K
35HI 3500K

40LO 4000K
40HI 4000K

finish

AP anodized paint
BR brick red
BU blue
BZ bronze
CP champagne
MB military blue
MN mint
MW matte white
OR orange
RD red
SB satin black
SS satin silver
TG textured gray
TW textured white
YO yellow

options

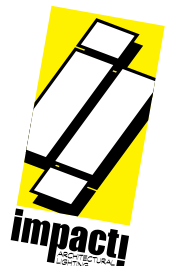
BKPC Black power cord and canopy
SBPC Silver braid power cord and white canopy
SQP sq.air quad pod

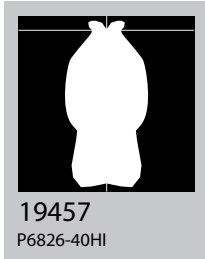
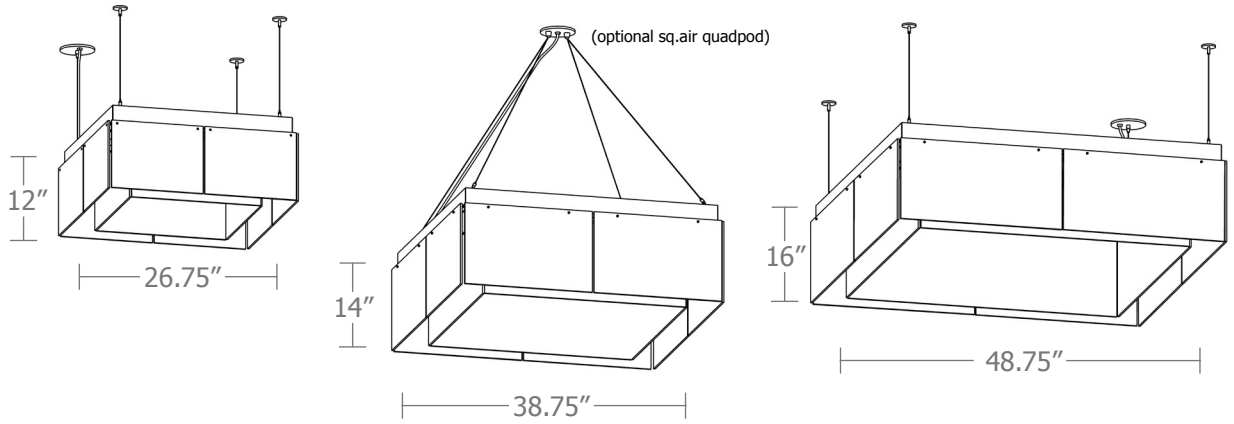
* HI lumen requires structural mount
(fixture weighs over 50 lbs)

** LO and HI lumen require structural mount
(fixture weighs over 50 lbs)

Premium Finish

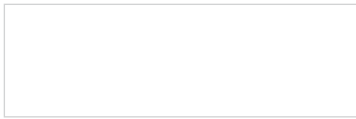
RAL specify RAL#





Cat No	Delivered Lumens	Watts		Amps	
		120V	277V	120V	277V
P6826 LO		30	30	0.25	0.11
4000K	2809				
3500K	2640				
3000K	2106				
P6826 HI		55.8	55.8	0.47	0.20
4000K	5461				
3500K	5133				
3000K	4096				
P6838 LO		37	37	0.31	0.13
4000K	3414	ies file # 19457			
3500K	3209				
3000K	2506				
P6838 HI		73	73	.61	0.26
4000K	6827				
3500K	6417				
3000K	5120				
P6848 LO		59	59	.49	.21
4000K	5300				
3500K	5035				
3000K	3975				
P6848 HI		104	104	.87	.38
4000K	9300				
3500K	8835				
3000K	6975				

Powder Coat Paint Finishes



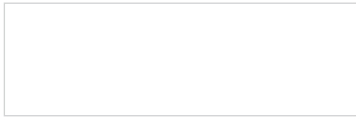
MW matte white



SB satin black



YO yellow 1018



TW textured white



CP champagne



RD red 3020



AP anodized paint



BZ bronze



BU blue 5017



SS satin silver



BR brick red



OR orange 2011



TG textured gray



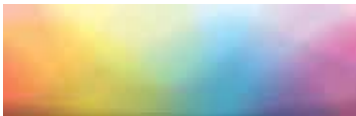
MB military blue



MN mint 6019

For accurate color verification, actual finish samples are available upon request.

Premium Finishes



RAL#

