

job name:   
 type:

## sq.air™ spec sheet

### material

#### housing

brake formed and welded aluminum.

#### diffuser

.25" virgin gloss white acrylic panels.

### optics

#### reflector

.050 aluminum painted high reflectance powder coat matte white.

#### lamp lens

.125" P95 frost acrylic lens.

### LED

custom LED board in 3000K, 3500K, or 4000K (80+ cri standard) optional 90cri (see below).  
 under normal operating conditions, the LEDs employed are rated for >50,000hrs L70 (6.8K) per  
 IES TM-21 from LM-80 test data. white power cord is standard with other color options listed below.

### driver

integral, programmable, UL class P, class 2, universal input (120-277v), constant current,  
 0-10v dimming, 1% minimum dimming level, PF >.9, THD <20%, protections include open and  
 short circuit, overload and over temperature.

### mounting

5"dia. spun steel canopy in satin white. four point vertical suspension of 12 ft long stainless steel cables  
 attach to trim with field adjustable grippers that allow for exact AFF mounting heights.  
 optional sq.air quad pod (see dwg.)

### emergency

recommend use of inverter (by other).



## catalog number

--	--	--	--

### size

**P6826**  
 (2ft) 26.75"dia X 12"ht

**P6838\***  
 (3ft) 38.75"dia X 14"ht

**P6848\*\***  
 (4ft) 48.75"dia X 16"ht

\* HI lumen requires structural mount  
 (fixture weighs over 50 lbs)

\*\* LO and HI lumen require structural mount  
 (fixture weighs over 50 lbs)

### LED array

**30LO** 3000K

**30HI** 3000K

**35LO** 3500K

**35HI** 3500K

**40LO** 4000K

**40HI** 4000K

**CL** xxxx lm  
custom lumens  
 consult factory

### finish

**AP** anodized paint

**BN** brown

**BR** brick red

**BS** brass

**BU** blue

**BZ** bronze

**CP** champagne

**FB** flat black

**GM** gun metal

**GR** green

**MB** military blue

**MN** mint

**MW** matte white

**OR** orange

**PL** purple

**RD** red

**SB** satin black

**SS** satin silver

**TG** textured gray

**TW** textured white

**YO** yellow

### premium finish

**RAL** specify RAL#

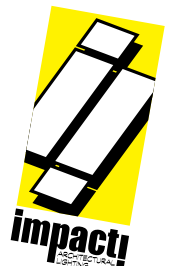
### options

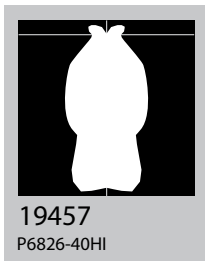
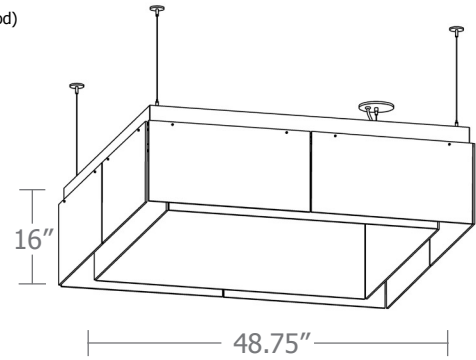
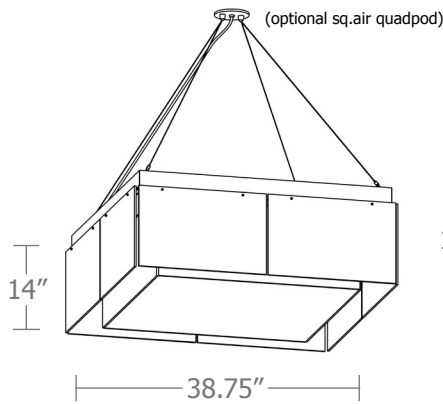
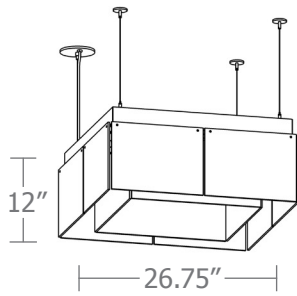
**90CRI**

**BKPC** Black power cord and canopy

**SBPC** Silver braid power cord and  
 white canopy

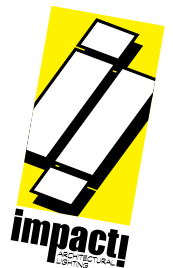
**SQP** sq.air quad pod



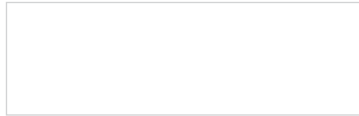


Cat No	Delivered Lumens	Watts		Amps	
		120V / 277V	120V	277V	
P6826 LO	2809	30	0.25	0.11	
P6826 HI	5461	55.8	0.47	0.20	
		ies file # 19457			
P6838 LO	3414	37	0.31	0.13	
P6838 HI	6827	73	.61	0.26	
P6848 LO	5300	59	.49	.21	
P6848 HI	9300	104	.87	.38	

\*delivered lumens based on 4000K, 80+ cri  
(90cri multiplier .83)



## Powder Coat Paint Finishes



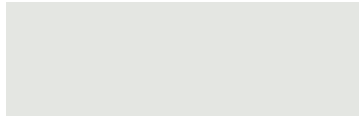
**MW** matte white



**CP** champagne



**YO** yellow 1018



**TW** textured white



**BZ** bronze



**RD** red 3020



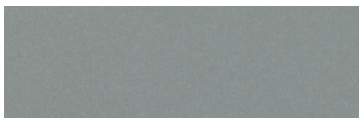
**AP** anodized paint



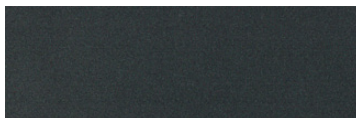
**BS** brass



**BU** blue 5017



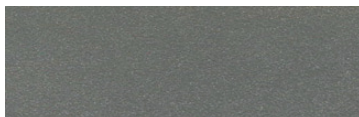
**SS** satin silver



**GM** gun metal



**OR** orange 2011



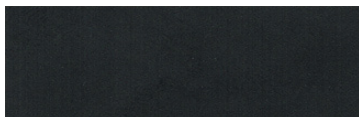
**TG** textured gray



**BR** brick red



**MN** mint 6019



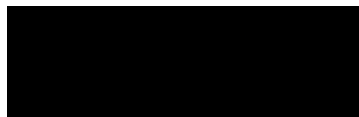
**FB** flat black



**BN** brown 8023



**GR** green 6018



**SB** satin black



**MB** military blue



**PL** purple 4005

For accurate color verification, actual finish samples are available upon request.

## Premium Finishes\*



**RAL#**

\*Available on select series. Consult product submittal for availability.

