

job name:   
 type:

**) (ula™ LED spec sheet**

**material**

**trim ring**  
 an hourglass curved profile with a soft bullnose bottom return. precision 6063 prime T5 aluminum extrusions roll-formed into a perfect circle. powder coated matte white (MW) finish.

**diffuser**  
 .118" thick laser cut optimum light diffusion acrylic. 72% light transmission with matte surface providing light scattering glare reduction. Colorless diffusion significantly reducing color shift of the LED's.

**LED**  
 custom LED board in 3000K, 3500K, or 4000K (80 cri) (90 cri available upon request) employing Samsung 281B mid power LEDs. LEDs are rated >50,000 hours L70 (10K) at 85°C per LM-80 test data, and 70,000 hours projected life per IES TM-21. slim 5C (3-18/2-22) white power cord is standard with other color options listed below.

**driver**  
 constant current, class P class 2 power unit, class A sound rating, universal input (120-277V) programmable driver, 1% minimum dimming level, PF >0.90. protections include short circuit, input/output isolation and surge protection (3KV). wired for 0-10v dimming from factory.

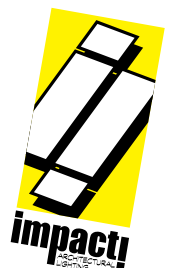
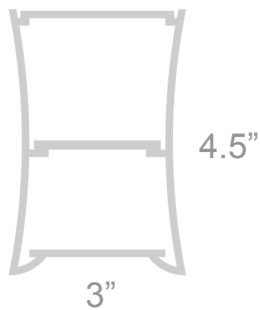
**mounting**  
 5"dia. spun steel canopy in satin white. three point vertical suspension of 12 ft long stainless steel cables attach to trim with field adjustable grippers that allow for exact AFF mounting heights. optional tripod to single point cable suspension (TPD).

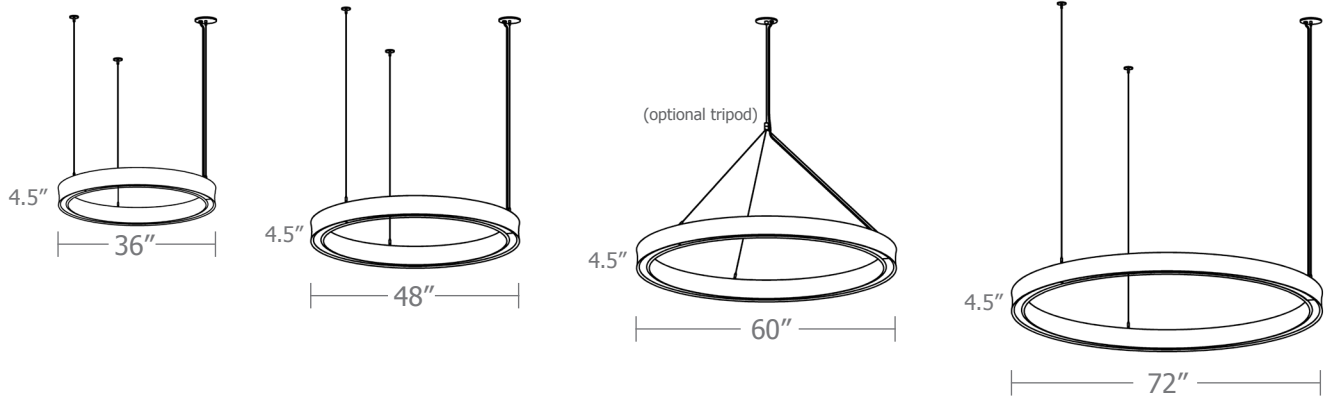
**emergency**  
 when required, recommend use of inverter (by other).



**catalog number**

size	direct LED	indirect LED	standard finish	options
<b>P7436</b> (3ft) 36"dia X 4.5"ht	<b>30LO</b> 3000K <b>30HI</b> 3000K	<b>30LO</b> 3000K <b>30HI</b> 3000K	<b>MW</b> matte white	<b>TPD</b> Tripod hanging system <b>SBPC</b> Silver braid power cord and white canopy <b>BKPC</b> Black power cord and canopy
<b>P7448</b> (4ft) 48"dia X 4.5"ht	<b>35LO</b> 3500K <b>35HI</b> 3500K	<b>35LO</b> 3500K <b>35HI</b> 3500K		
<b>P7460</b> (5ft) 60"dia X 4.5"ht	<b>40LO</b> 4000K <b>40HI</b> 4000K	<b>40LO</b> 4000K <b>40HI</b> 4000K		
<b>P7472</b> (6ft) 72"dia X 4.5"ht		<b>NUL</b> no uplight		





Cat No	Direct* Delivered Lumens	Watts		Amps		Indirect* Delivered Lumens	Watts		Amps	
		120V/277V	120V	277V	120V/277V		120V	277V		
<b>P7436 LO</b>		55	.46	.20		16	.14	.06		
4000K	5557				2400					
3500K	5445				2350					
3000K	5300				2280					
<b>P7436 HI</b>		109	.91	.40		33	.28	.12		
4000K	11115				4800					
3500K	10890				4705					
3000K	10600				4560					
<b>P7448 LO</b>		69	.58	.25		21	.18	.08		
4000K	6990				3090					
3500K	6850				3028					
3000K	6675				2945					
<b>P7448 HI</b>		138	1.15	.50		42	.35	.15		
4000K	13980				6180					
3500K	13700				6056					
3000K	13350				5890					
<b>P7460 LO</b>		85	.71	.31		31	.26	.12		
4000K	8640				4585					
3500K	8465				4494					
3000K	8250				4370					
<b>P7460 HI</b>		170	1.4	.61		62	.52	.22		
4000K	17280				9170					
3500K	16935				8987					
3000K	16500				8740					
<b>P7472 LO</b>		108	.90	.39		34	.29	.13		
4000K	11000				4987					
3500K	10780				4888					
3000K	10470				4750					
<b>P7472 HI</b>		216	1.8	.78		67	.56	.24		
4000K	22000				9975					
3500K	21560				9775					
3000K	20940				9500					

\* Preliminary