

job name:
 type:

glo.stk™ fluorescent spec sheet

material

end caps
 precision CNC spun .063" aluminum.
bottom lens (optional)
 .125" frosted acrylic. only available with downlight option.

optics

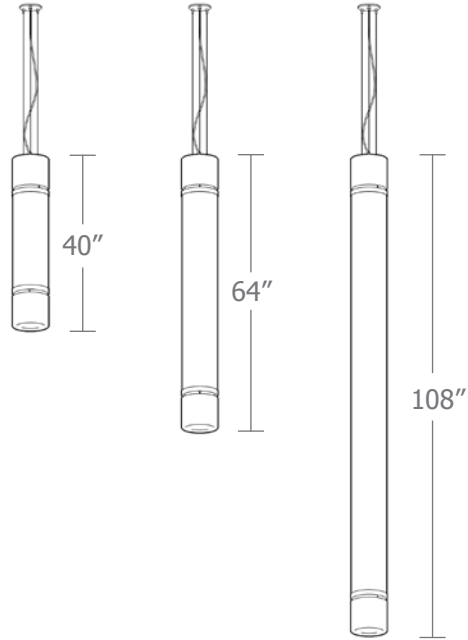
diffuser
 8" dia. .100" virgin gloss white acrylic cylinder.

electrical

factory installed universal voltage (120-277v), thermally protected, class P, electronic ballast. white power cord is standard with other color options listed below.

mounting

5"dia. spun steel canopy in satin white with triple 12ft stainless steel cables and field adjustable grippers that allow for exact AFF mounting heights.



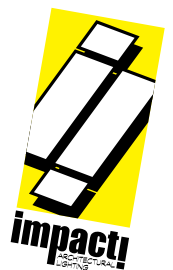
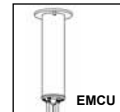
catalog number

--	--	--	--	--

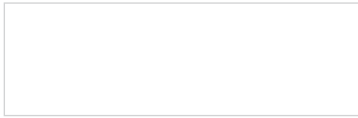
size	lamping	downlight	finish	options
P9540 8"dia X 40"ht	(40") 317 3-17W T8	126 1-26W CFTR (labeled max.)	AP anodized paint	EMCU ¹ Bodine® emergency ballast 120-277v Remote mounted at canopy; max. 5' suspension
P9564 8"dia X 64"ht	(64") 332 3-32W T8 (ies file #16500) (with downlight, ies file #16499)	132 1-32W CFTR (labeled max.)	BR brick red	EMU ² Bodine® emergency ballast 120-277v
P95108 8"dia X 108"ht	(108") 359 3-59W T8	142 1-42W CFTR (interchangeable 26/32/42W)	BU blue	EMRU ¹ Remote mounted Bodine® emergency battery pack 120-277v. (max. 5' suspension)
			BZ bronze	DL Compact fluorescent down light (standard universal electronic ballast)
			CP champagne	FBL Frosted acrylic bottom lens
			MB military blue	BKPC Black power cord and canopy
			MN mint	SBPC Silver braid power cord and white canopy
			MW matte white	¹ P9540 only
			OR orange	² P9564, P95112
			RD red	
			SB satin black	
			SS satin silver	
			TG textured gray	
			TW textured white	
			YO yellow	

Premium Finish

BA brushed aluminum
RAL specify RAL#



Powder Coat Paint Finishes



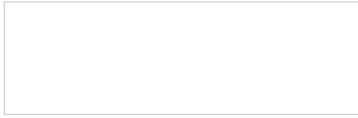
MW matte white



SB satin black



YO yellow 1018



TW textured white



CP champagne



RD red 3020



AP anodized paint



BZ bronze



BU blue 5017



SS satin silver



BR brick red



OR orange 2011



TG textured gray



MB military blue



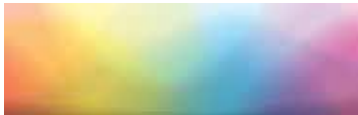
MN mint 6019

For accurate color verification, actual finish samples are available upon request.

Premium Finishes*



BA brushed aluminum



RAL#

For accurate color verification, actual finish samples are available upon request.

*Available on select series. Consult product spec sheet for availability.

