

job name:
 type:

sq.air™ fluorescent spec sheet

material

housing

brake formed and welded 22 gauge cold rolled steel.

diffuser

.125" gloss white acrylic panels.

optics

reflector

22 gauge aluminum powder coat painted high reflectance white.

lamp lens

.125" P95 frost acrylic lens.

electrical

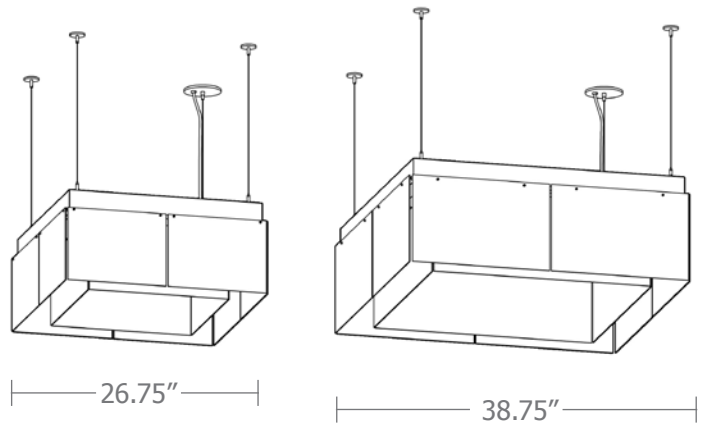
pre-wired for single circuit with factory installed, thermally protected, class P, electronic fluorescent ballasts. white power cord is standard with other color options listed below.

mounting

5"dia. spun steel canopy in satin white. four point vertical suspension of 12 ft long stainless steel cables attach to trim with field adjustable grippers that allow for exact AFF mounting heights. 38" weighs over 50lbs and requires structural support.

finish

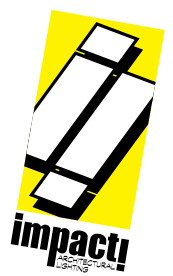
select from standard powder coat paint finishes or specify RAL# for custom colors.



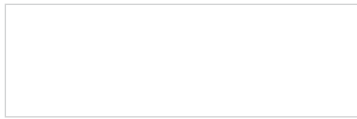
catalog number

--	--	--	--

size	lamping	finish	options
P6826 (2ft) 26.75"dia X 12"ht	(2ft) 414 4-14W T5	AP anodized paint	EM120 Bodine emergency ballast 120v
P6838 (3ft) 38.75"dia X 14"ht	424 4-24W T5HO	BR brick red	EM277 Bodine emergency ballast 277v
	(3ft) 421 4-21W T5	BU blue	BKPC Black power cord and canopy
	439 4-39W T5HO	BZ bronze	SBPC Silver braid power cord and white canopy
		CP champagne	
		MB military blue	
		MN mint	
		MW matte white	
		OR orange	
		RD red	
		SB satin black	
		SS satin silver	
		TG textured gray	
		TW textured white	
		YO yellow	
		Premium Finish	
		RAL specify RAL#	



Powder Coat Paint Finishes



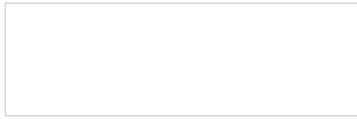
MW matte white



SB satin black



YO yellow 1018



TW textured white



CP champagne



RD red 3020



AP anodized paint



BZ bronze



BU blue 5017



SS satin silver



BR brick red



OR orange 2011



TG textured gray



MB military blue



MN mint 6019

For accurate color verification, actual finish samples are available upon request.

Premium Finishes



RAL#

