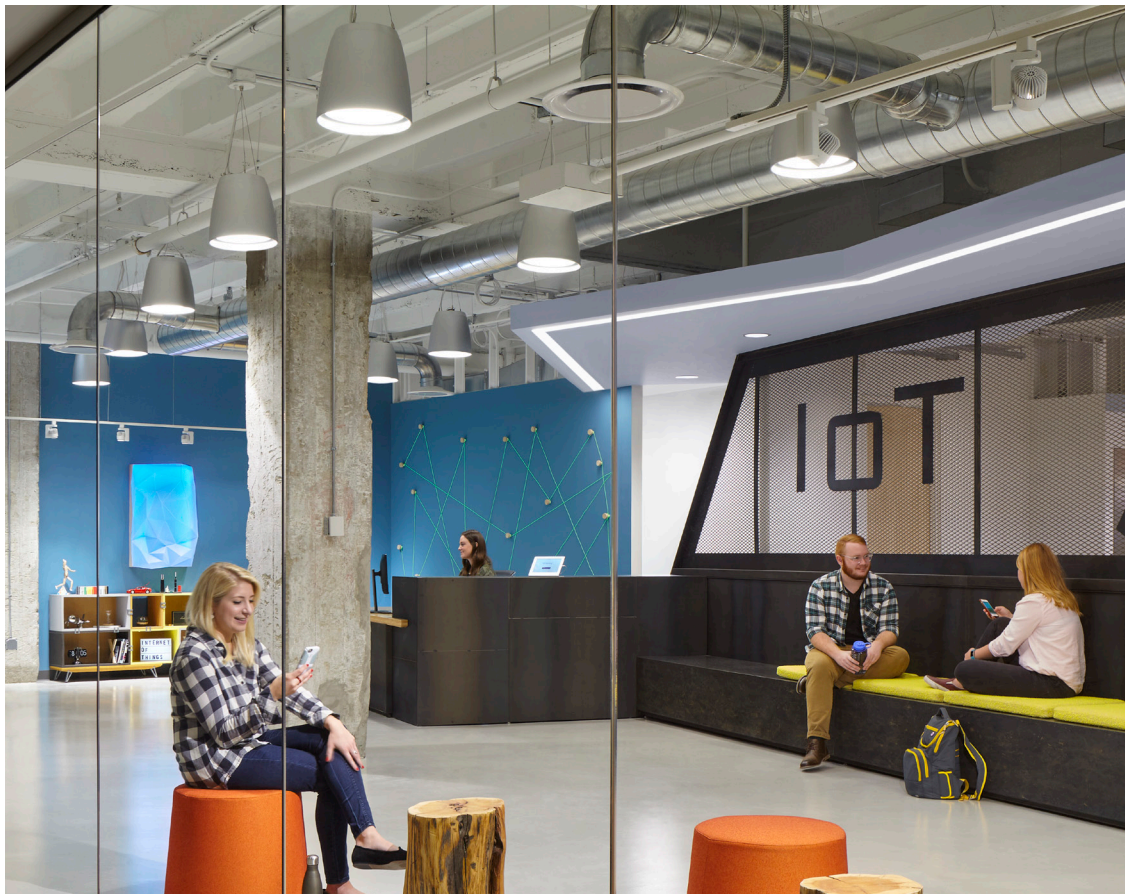


top.is.tiki™

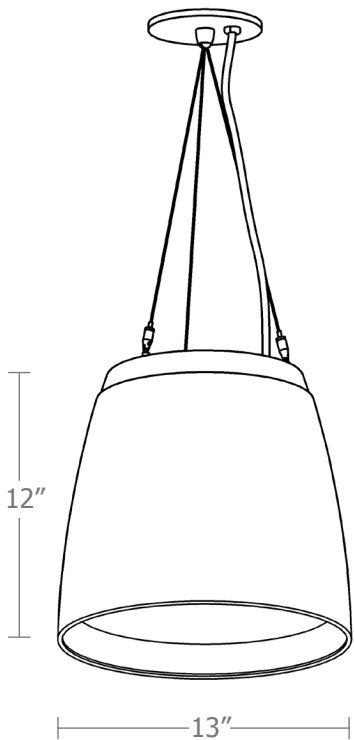
QSP4913



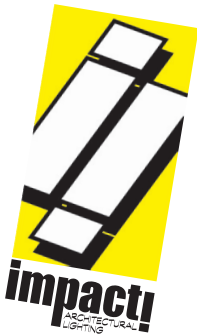
- 13" dia x 12" ht
- 6' adj. suspension
- 3200lm
- 3500K
- silver anodized
- 0-10v dimming to 1%



Chicago Connectory by Bosch & 1871 | Whitney Architects | Craig Dugan Photography



- **10 Business days!**
- **1-10 Fixtures!**
- **Free shipping!**
ground freight allowed
- **6ft. adj. suspension!**
- **3500K!**
- **Silver anodized finish!**
- **1% Dimming!**



impactltg.com

©2018 impact architectural lighting llc